

CONTRACOR®

EN

VAC-5 Abrasive recovery system

OPERATION MANUAL

Version 1.1

DE

VAC-5 Strahlmittel Rückgewinnungssystem

BEDIENUNGSANLEITUNG

Version 1.1

Seite 27

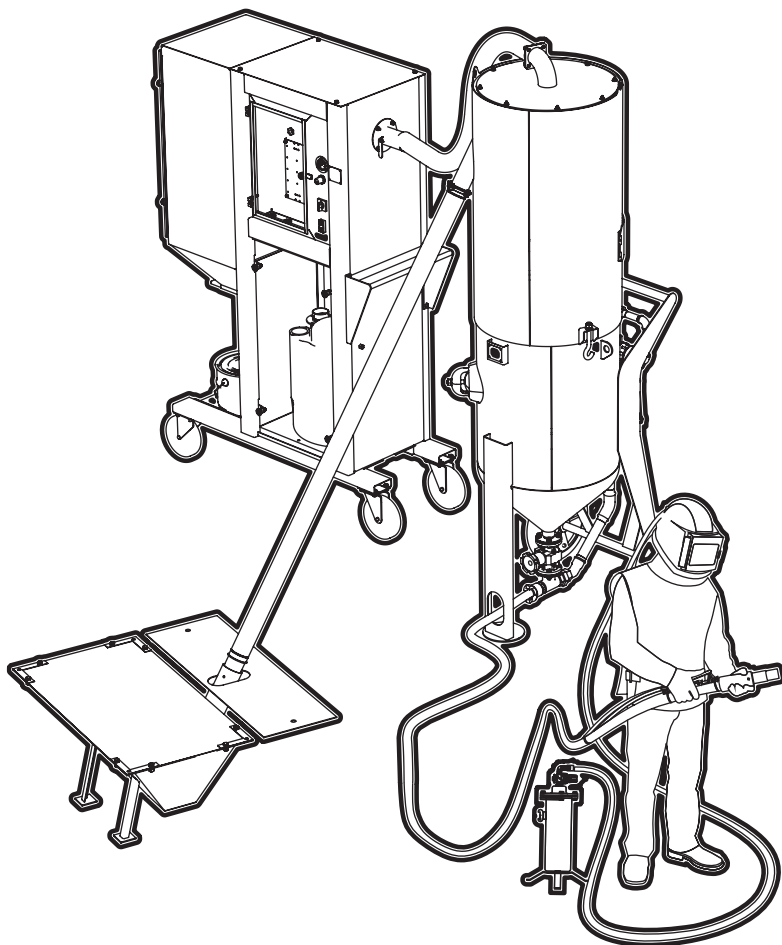
RU

Система рекуперации абразива VAC-5

РУКОВОДСТВО ПО ЭКСПЛУАТАЦИИ

Версия 1.1

стр. 52





Carefully familiarise yourself with the technical documentation, operating instructions and safety guidelines. Most accidents associated with the use of compressor equipment occur as a result of non-compliance with safety guidelines. Prevent hazards from developing and adhere to the safety guidelines. The main rules are given in the following section.



The manufacturer reserves the right to make changes to a product's design without notifying the user.

© Contracor ®. All rights reserved.

No part of the text and /or diagram may be reprinted or used without the prior written permission of Contracor.

The manufacturer reserves the right to make changes to a product design in order to enhance its technological and operational parameters without notifying the user.




The product type may considerably differ to that displayed in documents.

Contents


Safety guidelines	4
1.1 Symbols used in instructions	4
1.2 General safety guidelines	4
1.3 Safety precautions for installation	5
1.4 Safety precautions during operation	6
1.5 Safety precautions for maintenance and repair	7
System and mechanism	9
2.1 Technical information	9
2.2 Function	9
2.3 Mechanism	10
Installation	12
3.1 Lifting	12
3.2 Dimensions	12
3.3 Preparation of facility	13
3.4 Connection to power supply and electrical diagram	14
Usage	16
4.1 Placement of receiving hopper	16
4.2 Setup	17
Adjustment	18
5.1 Adjusting filter cleaning	18
Maintenance	19
6.1 Preventative maintenance	19
6.2 Servicing	20
Fault handling	21

1. Safety guidelines.

1.1 Symbols used in the instructions.

	Lethal hazard!
	Warning
	Attention!

1.2 General safety guidelines.

	The user is solely liable for injuries or damages which occur due to non-compliance with safety guidelines during installation, operation or servicing, as well as unauthorised use of equipment!
---	---

1. The operator must stringently adhere to safety guidelines provided for by these instructions and local legislation!
2. When choosing between these safety guidelines and the regulations provided for by local legislation, those rules which provide for more stringent requirements shall apply.
3. Only trained maintenance personnel with the relevant level of professional training are permitted to operate, service and repair Contracor equipment.

4. Compressed air flowing immediately from the compressor may contain oil and impurities and is not suitable for breathing! Compressed air has to be purified to an air purity grade suitable for breathing, in accordance with the standards prescribed by local legislation.
5. Compressed air is an extremely hazardous energy source. Compressed air must not be used for unintended purposes! Do not use it to clean clothing and footwear and never point compressed air hoses at people and animals! When using air to clean equipment, take extra caution and wear safety goggles!
6. All maintenance, repair, setup and installation work etc. must be performed while the equipment is turned off, disconnected from the power source, with compressed-air hoses disconnected from the equipment, and with the use of safety goggles! Ensure that equipment is disconnected from the compressed air system and is not under pressure.

1.3 Safety precautions for installation.



The user is solely liable for injuries or damages which occur due to non-compliance with safety guidelines during installation, operation or servicing, as well as unauthorised use of equipment!

1. Equipment must only be unloaded/loaded using the appropriate handling devices or hoisters. Equipment must not be manually lifted or moved. Do not leave equipment suspended. Use a helmet during unloading operations.
2. Arrange the equipment in a dry and clean facility which provides shelter from precipitation. The facility must be well ventilated, and forced ventilation should be provided if necessary. Access to all maintenance doors and areas as well as easy handling of large components should be ensured.
3. Worn, damaged or spoiled compressed-air hoses should not be used. Ensure that hoses correspond to the equipment in terms of nominal diameter and working pressure.
4. When using several compressor stations in a system, each compressor must have a manually operated valve for cutting off any of the compressors in the case of emergency.
5. Explosive and flammable hazardous admixtures such as solvent vapours and carbon dust etc. must not be released into the atmosphere.
6. Ensure unrestricted access to the compressed-air hose from the compressor. Do not clutter it and do not store flammable materials in its immediate vicinity.
7. Do not pinch or deform the compressed-air feed hoses.
8. Do not cover holes used to provide equipment with air for cooling. Ensure the facility is well ventilated.

- Equipment must be earthed. Provide short-circuit protection. The starting knife switch must be in the immediate vicinity of the equipment and protect against unauthorised start-up.



The user bears full responsibility for compliance with the operating conditions of the electrical motor installed in the equipment.

Equipment must be used with protection devices. The protection devices must protect the electric motor from short circuits, overloading (systematic and start-up) and open-phase conditions. Installation of protection devices is the responsibility of the user.

1.4 Safety precautions during operation.



The user is solely liable for injuries or damages which occur due to non-compliance with safety guidelines during installation, operation or servicing, as well as unauthorised use of equipment!

- Ensure that hoses correspond to the equipment in terms of nominal diameter and working pressure. Check the attachment of every hose coupling before start-up. An insecurely fastened hose may cause serious injury.
- Never turn on equipment if you suspect the presence of highly flammable impurities in the air!
- An operator is not allowed to operate equipment if the operator is fatigued, in a state of intoxication from alcohol, drugs or medicine that reduces the body's reaction time.
- The equipment must not be operated if parts of the casing have been removed. Doors or panels may be opened for short durations for inspection and scheduled checks. It is advisable to wear hearing protection.



In some types of equipment, open doors or removal of panels during operation may lead to overheating.

5. Regularly check that:
- safety devices and attachments are in place;
 - all hoses and pipes are in good condition and sealed;
 - there are no leaks;
 - brackets and structural components are tightened;
 - all electrical cables and contacts are in good condition and safe to use;
 - safety devices are fully functional and there is no contamination etc;
 - all structural components are in working order, with no signs of wear and tear.

1.5 Safety precautions for maintenance and repair.



The user is solely liable for injuries or damages which occur due to non-compliance with safety guidelines during installation, operation or servicing, as well as unauthorised use of equipment!

1. Only original spare parts and ancillary items may be used. Using spare parts from other manufacturers may lead to unpredictable results and consequently accidents.
2. When performing installation and repair work, always wear goggles!
3. Before connecting or disconnecting equipment, disconnect it from the main pneumatic system. Ensure that the hoses aren't under pressure!
4. Before beginning installation or other work, ensure that equipment is not pressurised. Installation work must not be carried out on equipment under pressure.
5. All maintenance work should be carried out only when the temperature of all structural elements falls to room temperature.
6. Never use highly flammable solvents or carbon tetrachloride for cleaning structural elements. When wiping, take precautions against the poisonous vapours of cleaning fluids.
7. When carrying out installation and repair work, an information plate should be affixed to the control panel to warn against unauthorised start-up. For example, "Do not turn on. Personnel operating!"
8. The operator remotely controlling equipment must ensure that no installation or other

work is being performed with the equipment at that moment! An information plate must be affixed to the equipment in relation to this: See 1.3.9.

9. Maintain cleanliness in the facility where the equipment is installed. Close open inlets and outlets during installation with dry clothes or paper to prevent rubbish entering the equipment.
10. Welding or other similar operations must not be carried out in the immediate vicinity of the equipment and vessels under pressure.
11. If there is any suspicion of overheating, combustion or other emergency, turn off the equipment. Immediately disconnect it from the power supply. Do not open the doors of equipment until the temperature falls to room temperature, in order to prevent burns or injury.
12. Naked fls must not be used as a light source for inspecting and checking equipment.
13. Never use caustic solvents, which may damage materials of the pneumatic system
14. After performing installation or other work, ensure that no instruments, rags or spare parts have been left inside the equipment.
15. Before beginning work in normal mode after maintenance or repair work, check that the working pressure, temperature and other characteristics are correctly set. Ensure that all control devices are installed and functioning properly.
16. When replacing filters, separators etc., wipe away dust, dirt and oil residue from the area where they are installed with a dry cloth.
17. Protect the motor, air filter, electrical components and control components etc. from coming into contact with condensate. For instance, blow down with dry air. Use protective gloves during installation and repair work in order to avoid burns and injury (for instance, during oil change).

2. System and mechanism.



Non-compliance with these instructions, the use of non-original replacement parts and the lack of a warranty certificate may render any guarantee void.

2.1 Technical information.

The main characteristics of the Contractor VAC-5 blast machine are given below:

Performance, tonnes/hour*	4,0
Max. grain size by steel shot, mm**	G 40 (0,30 – 0,80)
Max. length suction hose, m ***	10
Rated voltage, phase/V/Hz	3/380-420/50
Sound pressure level, dB(A) ****	72
Drive power, kW	5,5
Filter area, m ²	7,5
Filtering media	Polyester
Mass, kg	420

* The performance by other blast medias varies depending on the specific weight and grain shape.

** The maximum grain size for other blast medias varies depending on the specific weight and grain shape.

*** The scope of delivery includes 3 meters of suction hose

**** Measured according to ISO 3744

2.2 Function.

The VAC-5 vacuum system is designed to quickly collect and transport abrasive for subsequent cleaning as well as load abrasive into a blast machine (used together with the Blast Razor-200 blast machine). VAC-5 can be used for fitting out abrasive blasting areas or manned enclosures.

Medium-sized grit can be used, for example, as abrasive. Other lighter recoverable abrasives can also be used. Heavy abrasives and spherical grain-like abrasives, such as stainless-steel round shot, however, must not be used. The unit operates in an automatic mode, with abrasive being fed manually (using a brush, shovel) into the receiving hopper.

Compressed air is fed from the compressor to the RCV remote control unit (1) of the Blast Razor-200 blast machine (see the operating manual for said equipment) and to the pressure vessel (8).

A solenoid pulse cut-off valve with a timer (9) is installed on the pressure vessel (8), and is designed to feed air briefly at regular adjustable time intervals to the filter (12) in the filter chamber (6) for shaking it and clearing dust deposits. When the machine is switched on (by turning the knife switch and pressing the green button on the panel of the electric box (13)), power is supplied to the electric vacuum pump (3). The vacuum pump (3) creates negative pressure in the filter chamber (6), cyclone separator (5) and in the working cavity of the abrasive-collecting hose.

The vacuum generated causes abrasive to be drawn out of the hopper (10) and to enter the cyclone separator (5). Heavier particles in the cyclone separator lose their energy and descend through a screen (for separating out large particles) towards the cut-off valve of the blast machine so as to enter the blast machine (7) again when it is depressurised. Abrasive is thus recycled. Lighter particles pass through the cyclone separator (5) into the filter chamber (6), where they are caught by the filter (12). The heavier particles descend and accumulate in the dust collector (11). When blasting is completed, the operator removes his/her hand from the remote control console (2). The main flow of compressed air into the blast machine (7) stops. Excess air is bled from the blast machine. The cut-off valve of the tank (7) opens, and the abrasive that has accumulated in the cyclone separator (5) re-enters the blast machine (7).

3. Installation.

3.1 Lifting.

Visually inspect for damages to packaging, and if there are no damages, then place the unit near the site chosen for installation and unpack the unit. Equipment must only be moved using the appropriate handling devices or hoisters.

Equipment must not be manually lifted or moved. Even when packaged, store the equipment in a place shielded from weather conditions.

Handle with care. Heavy impacts (bumps and falls) may cause irreparable damage. Handle with care. Heavy blows (jerking, falling) can cause irreparable damage.

	The presence of dents, chips and other damages may invalidate the warranty.
--	---

3.2 Dimensions.

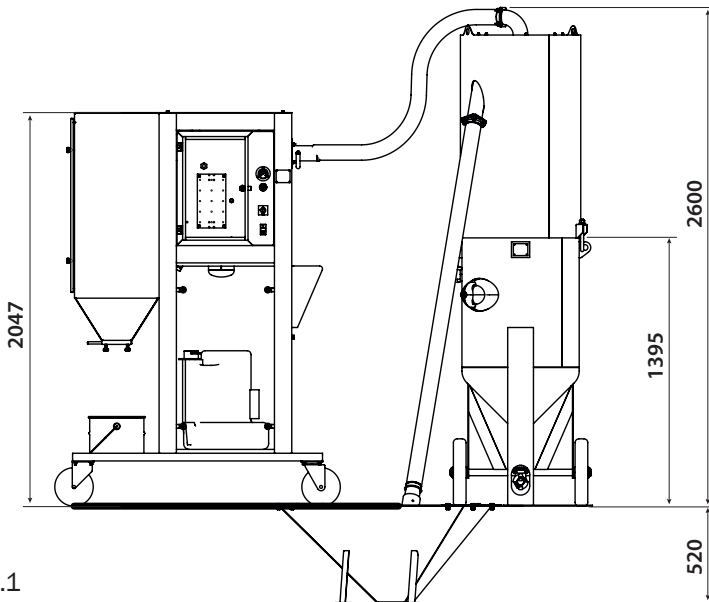


Fig. 3.2.1

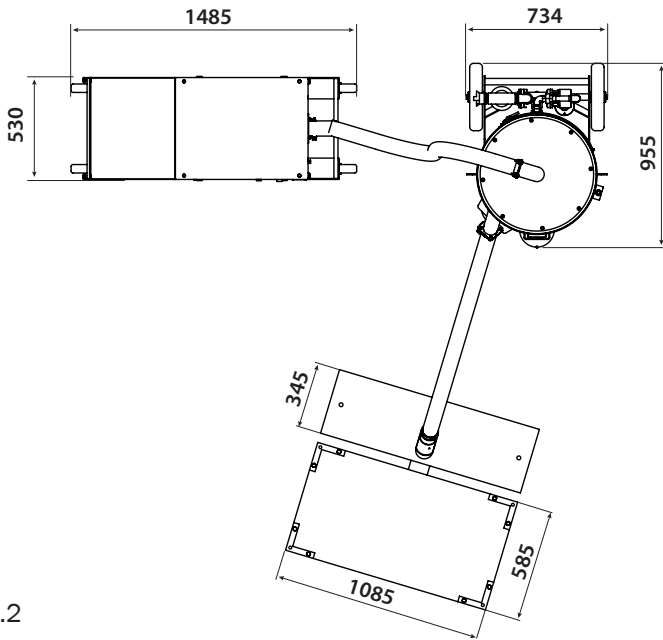



Fig. 3.2.2

3.3 Preparation of facility .

	<p>Placing the machine in unsuitable environments can diminish its performance as a result of overloading. Such cases provide no guaranteed performance.</p>
--	--

Requirements for installation:

- the facility must be clean, dust-free, dry and protected against atmospheric conditions;
- the floor of the facility must be flat and level and sustain the weight of the machine;
- the machine is portable and doesn't require fastening to the floor;
- free access to all maintenance doors and areas should be ensured.

3.4 Connection to power supply and electrical diagram.

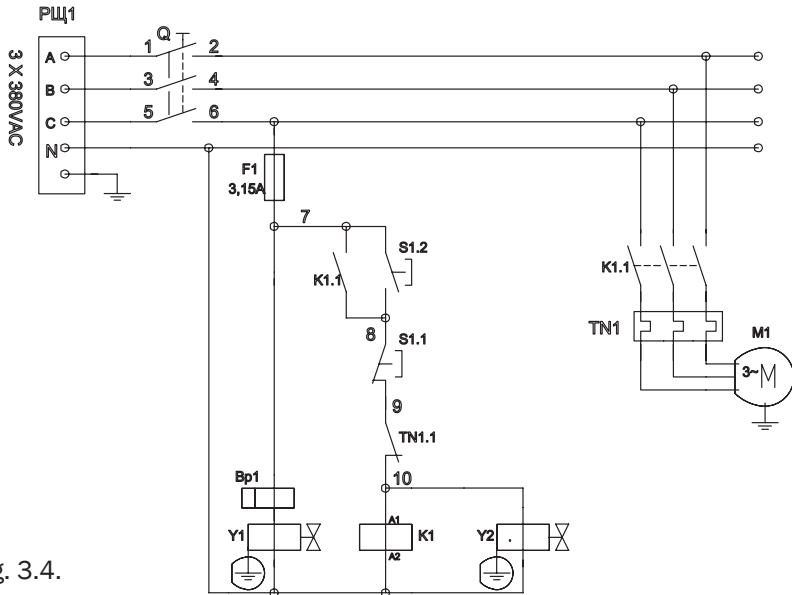


Fig. 3.4.

K1	contactor	F1	fuse
S1	start/stop button	RSh1	corner plug socket
Q	knife switch	Y2	pneumatic valve
M1	electric motor	Bp1	timer
Y1	pulse pneumatic valve	TN1	thermal switch



All electrical works must be carried out by a qualified electrician in accordance with national and local standards.

A connection diagram is included in the machine's delivery set. After connecting, the direction of rotation of the vacuum pump has to be checked by briefly turning the switch on and off. The direction of rotation of the vacuum pump impeller must match that indicated by the arrow sticker on the pump housing.



Looking into the delivery nozzle of the vacuum pump while it is operating and using the machine with open grid panels are not allowed.

Particles expelled from the pump's delivery nozzle may cause injury to the eyes and face.

4. Usage.

4.1 Placement of receiving hopper.

The receiving hopper should be located in the area where abrasive blasting is carried out. An area in the floor needs to be prepared for installing the hopper. The level of the hopper should be a little lower so that abrasive can be fed easily into the hopper. Abrasive is loaded manually – using a shovel, brush etc.

Floor opening

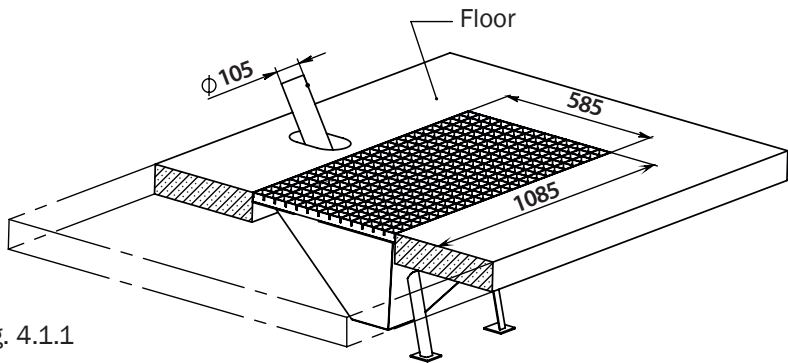


Fig. 4.1.1

Section floor opening

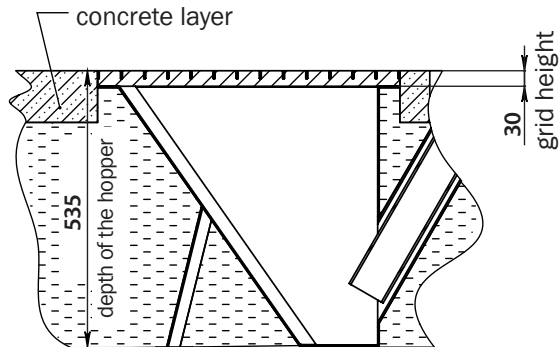


Fig. 4.1.2

4.2 Setup.



Before abrasive blasting, the cyclone separator door and the filter chamber door must be closed

1. Connect the compressed-air hose to the pneumatic unit and secure the connection with a clamp. Switch on the compressed-air supply to the pneumatic unit and ensure there are no leaks.
2. Remove the machine's back panel. Ensure all hoses are securely connected. Using the manometer and pressure regulator mounted upstream of the pressure vessel, set the pressure of the pressure vessel to 4.5 bar. On the timer of the solenoid pulse valve, set the response time to 2 minutes and the opening interval to 100 ms. These values can be adjusted during operation (section 5.3). Mount the machine's back panel back in place.
3. Using the manometer and pressure regulator, set the cleaning pressure to 5 bar on the electric box panel.
4. Power on the machine by turning the knife switch and pressing the green on-switch button. The vacuum pump turns on.



If dust escapes to the surroundings from the dust collector, the cyclone separator, the filter chamber or the delivery nozzle of the vacuum pump, abrasive blasting must be stopped immediately (see below) and the machine must be switched off. It must be checked as to whether the filter is correctly installed, not worn and not damaged. It must also be checked as to whether the doors of the filter chamber and cyclone separator are hermetically closed. Prolonged inhalation of any dust can cause serious pulmonary disease or prove fatal. Brief swallowing of toxic dust, such as lead dust, poses an immediate health hazard.

The toxicity and health risk depend on the dust created during the blast cleaning process.

All the substances removed during blast cleaning must be determined, and a safety certificate for the abrasive must be obtained.

5. Adjustment.

5.1 Adjusting filter cleaning

The filter chamber is equipped with an automatic filter-cartridge pulse-cleaning system. The standard pressure for pulse cleaning is 4–5 bar. The cleaning pressure is set using the pressure regulator installed on the pressure vessel of the cleaning system and is monitored using the manometer.

If the pulsation does not provide a sufficient degree of cleaning for the filter cartridge, the pulse pressure has to be increased in intervals of 0.5 bar up to the maximum pressure of 6.0 bar. Increasing the pulse pressure above 6.0 bar may cause damage to the filter body and the filter itself.

If the dust deposit on the filter cartridge increases after the pressure has increased, the duration of each pulse should be increased (set on each pneumatic valve in milliseconds (ms)) and the intervals between pulses should be reduced (in minutes (min)).

The performance of solenoid-controlled pneumatic valves can be checked by pressing the Test button.

6. Maintenance.

6.1 Preventative maintenance

6.1.1 Dust collector

Empty the dust container regularly. Start by checking the container at least daily or when adding media, then adjust frequency based on usage, contamination and friability of the media.

6.1.2 Airline filter


Pneumatic unit is equipped with a manual drain airline filter. Drain the airline filter at least once a day, more often if required, or if water mist is seen coming out the nozzle. Moist air inhibits the flow of media. If moisture continues to be present, a refrigerated air dryer may be required.

6.1.3 Hoses and connections

Visually inspect hoses regularly for signs of wear (particularly in kinks). There should not be fissures or cracks in the surface of a hose. Replace the hose if necessary.

6.1.4 Dirt-trapping screen of cyclone separator

The cyclone separator is equipped with a dirt-trapping screen, which prevents foreign objects and products of the cleaned surfaces from entering the blast machine. The screen has to be cleaned every day.

	<p>The screen must categorically not be cleaned while the filter chamber fan is switched on.</p> <p>The machine must not be used if the screen has not been mounted in place.</p>
--	---

The cyclone is provided with doors for accessing the screen. In order to remove the screen, lift it slightly and turn it clockwise. Mount the screen in the reverse order.

6.2 Servicing.

6.2.1 Changing filter cartridge



Non-compliance with requirements for using individual protective equipment when servicing areas of the machine and the dust collector or when emptying the dust collector bin may lead to significant eye irritation, pulmonary diseases or fatality.

The toxicity and health risk are dependent on the type of abrasive and dust created during the blast cleaning process.

A respirator must be used for the relevant type of dust created.

All the removable materials from the blast cleaning process must be determined, and a safety certificate for the abrasive must be obtained.

In order to change the filter cartridge of the dust-collecting chamber, carry out the following actions:

1. Shut off the supply of compressed air to the pneumatic unit.
2. Fully bleed the air from the pressure vessel of the pulse cleaning system.
3. Unscrew the 4 nuts with black plastic grips on the door of the filter chamber and remove the door.
4. Unscrew the nut with the black plastic grip under the filter cartridge, and remove the washers for fastening the filter cartridge.
5. Remove the filter cartridge by pulling it downwards and towards you.
6. Inspect the top metal flange against which the sealing ring of the filter cartridge bore. There should not be any ring residue on the flange. If necessary, clean the flange.
7. Mount the new filter cartridge in the reverse order. Mount the washers in the correct order.
8. Screw the nut with the black plastic grip until the filter cartridge can no longer be turned about its axis by hand. Tighten the nut one further revolution.
9. Check the seal of the filter chamber door for wear. Replace it if required, ensuring that there are no gaps in the seal joints.
10. Close the filter chamber door and tighten the 4 nuts with black plastic grips.

7. Fault handling.



Defect	Possible cause	Remedy
Overconsumption of abrasive	The cyclone separator door is either open or not in place, or the seal is incorrectly mounted or worn. Air penetration here into the cyclone separator causes abrasive to move into the filter chamber.	Tightly close the door of the cyclone separator. If necessary, replace the door seal. The machine must not be used while the cyclone separator door is open!
	A hole caused by wear in the cyclone separator or leakage at the seams of the cyclone separator.	Visually check the cyclone separator for leakage.
	The use of extremely small, worn or soft abrasive which quickly disintegrates.	Replace the abrasive.
	A nozzle pressure which is too high for the abrasive used will cause the material to disintegrate.	Reduce the pressure using the pressure regulator on the electric box panel.

Defect	Possible cause	Remedy
Fall in speed of blast cleaning	Insufficient amount of filled abrasive (reduced flow of abrasive).	Add abrasive.
	Incorrect setting of the abrasive metering device (too much abrasive in the mixture with compressed air, causing abrasive to clog the nozzle).	Adjust the blast machine metering device.
	Low pressure of compressed air being fed to blast machine.	Adjust the pressure using the pressure regulator on the electric box.
	Clogging of abrasive hose or nozzle.	When the vacuum pump is switched off, check that there is a dirt-trapping screen in the cyclone separator. Inspect the abrasive nozzle in the vacuum head. After unscrewing the body of the vacuum head and nozzle from the nozzle holder and pointing it in a safe direction, press the button on the remote-control handle, feeding air to the nozzle holder to clear the hose and nozzle holder of blockage.
	Wear of nozzle.	Check the nozzle for wear, and if necessary, replace the nozzle.
	Wear of blast hose.	Check the hose for tears and worn sections. Replace it if worn or damaged.
	Moist abrasive.	Drain the condensate from the moisture separator and filter of the pneumatic unit.

Defect	Possible cause	Remedy
Only air is coming out of the nozzle (no abrasive is coming out).	There is a lack of abrasive in the blast machine (owing to overconsumption).	See “Overconsumption of abrasive”.
	The blast machine metering device is closed too much.	Adjust the metering device.
	Clogging of metering device.	Press the button on the remote-control handle, asking someone to assist in briefly opening and closing the ball valve several times to feed compressed air into the blast machine. If this doesn’t help, turn off the machine and disassemble and clean the metering device.
	The hoses of the pneumatic control system are damaged.	Check the control polyurethane pneumatic hoses for kinks or leaks.
	Failure of metering device.	Repair or replace the metering device.
Neither abrasive nor compressed air are coming out of the nozzle.	The blast nozzle or hose is clogged.	See “Fall in speed of blast cleaning”.
	The blast machine is not pressure-tight.	See “The blast machine is not pressure-tight.”
	The metering device and ball valve of the blast machine are closed.	Adjust the metering device and open the ball valve for supplying compressed air to the blast machine.
	The solenoid safety valve is not opening.	Adhering to electrical safety rules, ensure that the coil of the solenoid valve is properly connected. If necessary, replace the valve.
Blast cleaning does not stop when the button on the remote-control handle is released.	The three-way valve on the remote-control handle has malfunctioned.	Ensure that the three-way valve on the remote-control handle releases pressure to the surroundings when the button is released. If this does not happen, replace the remote-control handle.

Defect	Possible cause	Remedy
The blast machine is not pressure-tight.	No compressed air is being fed to the blast machine.	Ensure that the compressor is supplying compressed air.
	The pressure regulator has been set to a compressed-air pressure level which is too low.	Adjust the pressure. The pressure mustn't be below 3 bar.
	Worn diaphragm of discharge valve.	Dismantle the discharge valve of the blast machine and inspect the diaphragm for wear. If necessary, replace it.
	The hoses of the pneumatic control system are damaged.	Check the pneumatic hoses controlling the start/stop unit for kinks or leaks.
	The three-way valve on the remote-control handle has malfunctioned.	Ensure that the three-way valve on the remote-control handle releases pressure to the surroundings when the button is released. If this does not happen, replace the remote-control handle.
	The remote-control handle connection hoses are mixed up.	Swap the hoses around.
The blast machine does not switch off and depressurise or only very slowly.	The three-way valve on the remote-control handle has malfunctioned.	Ensure that the three-way valve on the remote-control handle releases pressure to the surroundings when the button is released. If this does not happen, replace the remote-control handle.
	The hose for controlling the discharge valve is pinched, damaged or blocked.	Check the hose for breakage and damage, and replace it if necessary.
The abrasive-air mixture is oversaturated with abrasive	The ball valve on the blast machine is either closed or not open enough.	Fully open the ball valve.
There is a pulsating flow of the abrasive-air mixture during start-up	The abrasive metering device is open too much.	Adjust the metering device. If adjusting does not reduce the quantity of abrasive in the mixture, switch off the machine, unload the abrasive, and dismantle and inspect the metering device.

Defect	Possible cause	Remedy
Dust leakage from filter chamber	The filter cartridge is damaged or poorly secured.	Switch off the vacuum pump. Open the filter chamber door and ensure that the filter cartridge is properly installed and not damaged.
	Defective seal on door of dust-collecting chamber.	Switch off the vacuum pump. Open the filter chamber door and check the integrity of the door seal and that there is no wear. If necessary, replace the seal.
Dust leakage from discharge valve.	Worn gasket of discharge valve.	Replace the gasket.

	<p>Machen Sie sich sorgfältig mit der technischen Dokumentation, der Betriebsanleitung und den Sicherheitshinweisen vertraut. Die meisten Unfälle bei der Verwendung von Kompressoranlagen geschehen infolge der Nichtbeachtung der Sicherheitshinweise. Verhindern Sie das Entstehen von Gefahren und beachten Sie die Sicherheitshinweise.</p>
	<p>Der Hersteller behält sich das Recht vor Änderungen am Produktdesign vorzunehmen, ohne den Anwender zu informieren.</p>

© Contracor ®. All rights reserved.

No part of the text and /or diagram may be reprinted or used without the prior written permission of Contracor.

The manufacturer reserves the right to make changes to a product design in order to enhance its technological and operational parameters without notifying the user.




The product type may considerably differ to that displayed in documents.

Inhalt


Sicherheitshinweise	29
1.1 In den Anweisungen verwendete Piktogramme	29
1.2 Allgemeine Sicherheitshinweise	29
1.3 Sicherheitsvorkehrungen für die Inbetriebnahme	30
1.4 Sicherheitsvorkehrungen während des Betriebs	31
1.5 Sicherheitsvorkehrungen bei Wartung und Instandsetzung	32
System und Mechanismus	34
2.1 Technische Daten	34
2.2 Funktion	34
2.3 Funktionsweise	35
Inbetriebnahme	37
3.1 Anheben	37
3.2 Abmessungen	37
3.3 Vorbereitung des Standorts	38
3.4 Anschluss an die Spannungsversorgung und Elektroschaltplan	39
Verwendung	41
4.1 Platzierung des Trichters	41
4.2 Einrichtung	42
Einstellung	43
5.1 Einstellen der Filterreinigung	43
Wartung	44
6.1 Vorbeugende Wartung	44
6.2 Wartung	45
Fehlerbehandlung	46

1. Sicherheitshinweise.

1.1 In den Anweisungen verwendete Piktogramme.

	Lebensgefahr!
	Warnung!
	Achtung!

1.2 Allgemeine Sicherheitshinweise.

	The user is solely liable for injuries or damages which occur due to non-compliance with safety guidelines during installation, operation or servicing, as well as unauthorised use of equipment!
---	---

1. Der Betreiber hat die in diesen Anweisungen sowie in den geltenden gesetzlichen Vorschriften enthaltenen Sicherheitsrichtlinien genauestens einzuhalten!
2. Bei Überschneidungen der Sicherheitsrichtlinien mit der örtlichen Gesetzgebung gelten stets die strengeren Vorschriften.
3. Nur Wartungspersonal mit entsprechender Berufsausbildung ist es gestattet, Contracor - Anlagen zu bedienen, zu warten und zu reparieren.

4. Druckluft, die direkt vom Kompressor kommt, kann Öl und Verunreinigungen enthalten und ist nicht als Atemluft geeignet! Druckluft muss in Übereinstimmung mit den geltenden gesetzlichen Vorschriften auf einen zur Atmung geeigneten Luftreinheitsgrad gebracht werden.
5. Druckluft ist eine äußerst gefährliche Energiequelle. Druckluft darf niemals unsachgemäß verwendet werden! Verwenden Sie niemals Druckluft, um Kleidung oder Schuhe zu reinigen und zielen Sie mit Druckluftschläuchen niemals auf Menschen oder Tiere! Bei der Reinigung von Geräten mit Druckluft ist äußerste Vorsicht geboten. Tragen Sie dabei immer eine Schutzbrille!
6. Wartungs-, Reparatur-, Aufbau-, und Montagearbeiten dürfen nur durchgeführt werden, wenn das Gerät ausgeschaltet ist, von der Stromquelle getrennt ist, die Druckluftschläuche vom Gerät getrennt sind und beteiligte Personen Schutzbrillen tragen. Stellen Sie sicher, dass die Anlage vom Druckluftsystem getrennt ist und nicht unter Druck steht.


1.3 Sicherheitsvorkehrungen für die Inbetriebnahme.




The user is solely liable for injuries or damages which occur due to non-compliance with safety guidelines during installation, operation or servicing, as well as unauthorised use of equipment!

1. Anlagen dürfen ausschließlich mit entsprechenden Handhabungsgeräten oder Kränen auf-/abgeladen werden. Anlagen dürfen nicht von Hand angehoben oder bewegt werden. Anlagen niemals an Hebezeugen o. Ä. hängen lassen. Beim Abladen immer einen Helm tragen.
2. Stellen Sie die Anlagen in einem trockenen und sauberen Gebäude auf, wo sie vor Niederschlag geschützt sind. Das Gebäude muss ausreichend und bei Bedarf durch Fremdbelüftung belüftet sein.
3. Abgenutzte, beschädigte oder defekte Druckluftschläuche dürfen nicht verwendet werden. Stellen Sie sicher, dass die verwendeten Schläuche hinsichtlich Durchmesser und Betriebsdruck für die jeweiligen Geräte geeignet sind.
4. Sind in einem System mehrere Kompressorstationen vorhanden, benötigt jeder Kompressor ein von Hand betätigtes Ventil zum Abschalten der einzelnen Kompressoren für Notfälle.
5. Explosive und leicht entzündliche Substanzen wie Lösungsmitteldämpfe, Kohlenstaub etc. dürfen keinesfalls in die Atmosphäre freigesetzt werden.
6. Sorgen Sie für ungehinderten Zugang zum Druckluftschlauch vom Kompressor. Der Schlauch sollte nicht verdeckt sein und es dürfen keine brennbaren Materialien in unmittelbarer Nähe gelagert werden.

7. Druckluftschläuche dürfen nicht gequetscht oder verformt werden.
8. Lüftungsöffnungen von Anlagen dürfen nicht abgedeckt werden. Achten Sie darauf, dass das Gebäude gut belüftet ist.
9. Anlagen müssen geerdet sein. Kurzschlusschutzvorrichtungen müssen vorhanden sein. Der Not-Aus-Taster muss sich in unmittelbarer Nähe des Geräts befinden und gegen unberechtigte Inbetriebnahme schützen.

	<p>Der Benutzer trägt die volle Verantwortung für den ordnungsgemäßen Betrieb des in der Anlage vorhandenen Elektromotors.</p> <p>Anlagen sind nur mit entsprechenden Schutzvorrichtungen zu betreiben. Die Schutzvorrichtungen müssen den Elektromotor vor Kurzschlüssen, Überlast (systematisch und bei der Inbetriebnahme) und Phasenausfall schützen.</p> <p>Die Montage von Schutzvorrichtungen liegt in der Verantwortung des Benutzers.</p>
---	--

1.4 Sicherheitsvorkehrungen während des Betriebs.

	<p>The user is solely liable for injuries or damages which occur due to non-compliance with safety guidelines during installation, operation or servicing, as well as unauthorised use of equipment!</p>
---	--

1. Stellen Sie sicher, dass die verwendeten Schläuche hinsichtlich Durchmesser und Betriebsdruck für die jeweiligen Geräte geeignet sind. Überprüfen Sie die einzelnen Schlauchanschlüsse vor der Inbetriebnahme auf festen Sitz. Eine lose Schlauchverbindung kann schwere Verletzungen verursachen.
2. Anlagen niemals einschalten, wenn leicht entzündliche Luftverunreinigungen vermutet werden.
3. Das Gerät darf keinesfalls bei Müdigkeit sowie nach dem Konsum von Alkohol, Drogen oder Medikamenten, die die Reaktionszeit reduzieren, verwendet werden.
4. Das Gerät darf nicht betrieben werden, wenn Teile des Gehäuses entfernt wurden. Türen oder Abdeckungen dürfen zu Prüfzwecken und für geplante Kontrollen kurzzeitig geöffnet werden. Gehörschutz wird dringend empfohlen.



Bei manchen Geräten können offene Türen oder fehlende Abdeckungen während des Betriebs zu Überhitzung führen.

5. Folgende Punkte sind regelmäßig zu kontrollieren:
- •Vorhandensein von Sicherheitsvorrichtungen und -geräten;
 - •Zustand und Dichtigkeit sämtlicher Schläuche und Rohrleitungen;
 - •Lecks;
 - •Festigkeit von Halterungen und Strukturbauteilen;
 - •Zustand und Sicherheit der elektrischen Leitungen und Kontakte;
 - •Funktionstüchtigkeit und Sauberkeit von Sicherheitsvorrichtungen;
 - •Funktionstüchtigkeit von Strukturbauteilen und Anzeichen von Verschleiß;

1.5 Sicherheitsvorkehrungen bei Wartung und Instandsetzung.



The user is solely liable for injuries or damages which occur due to non-compliance with safety guidelines during installation, operation or servicing, as well as unauthorised use of equipment!

1. Es sind ausschließlich original Ersatz- und Austauschteile zugelassen. Die Verwendung von Ersatzteilen anderer Hersteller kann zu unvorhersehbaren Ergebnissen und somit zu Unfällen führen.
2. Bei Montage- und Reparaturarbeiten ist stets eine Schutzbrille zu tragen!
3. Vor dem Anschließen oder Trennen von Geräten sind diese vom Hauptdruckluftsystem zu trennen. Stellen Sie sicher, dass die Schläuche nicht unter Druck stehen!
4. Vor Beginn von Montagearbeiten oder sonstigen Arbeiten muss sichergestellt werden, dass die Anlage nicht unter Druck steht. Es dürfen niemals Montagearbeiten an Anlagen, die unter Druck stehen, durchgeführt werden.
5. Sämtliche Wartungsarbeiten dürfen erst ausgeführt werden, wenn die Bauteile auf Raumtemperatur abgekühlt sind.

6. Verwenden Sie niemals leicht entzündliche Lösungsmittel oder Tetrachlormethan zur Reinigung von Strukturbauteilen. Treffen Sie entsprechende Vorkehrungen gegen giftige Dämpfe von Reinigungsmitteln.
7. Während Montage- und Reparaturarbeiten sollte ein Hinweisschild am Bedienfeld angebracht sein, das vor unbefugtem Einschalten warnt. Beispiel: „Nicht einschalten. Gefahr für Bedienpersonal!“
8. Der Bediener, der das Gerät fernsteuert, muss sicherstellen, dass zu dem Zeitpunkt keine Montage- oder anderen Arbeiten an der Anlage durchgeführt werden. Folgender Warnhinweis muss gut sichtbar am Gerät angebracht sein: Siehe 1.3.9.
9. Halten Sie das Gebäude, in dem das Gerät steht, sauber. Schließen Sie offene Zu- und Abläufe während der Montage mit trockenen Lappen oder Papier, um zu verhindern, dass Schmutz in die Anlage gelangt.
10. Schweißarbeiten oder ähnliche Arbeiten dürfen nicht in unmittelbarer Nähe von Anlagen und Behältern, die unter Druck stehen, durchgeführt werden.
11. Schalten Sie die Anlage bei Verdacht auf Überhitzung, Entzündung sowie in anderen Notsituationen umgehend aus. Schalten Sie die Anlage sofort stromlos. Öffnen Sie Türen der Anlage erst, wenn sie sich auf Raumtemperatur abgekühlt hat, um Verbrennungen oder Verletzungen zu vermeiden.
12. Offene Flammen dürfen nicht als Lichtquelle für Inspektionen und Kontrollen der Anlage genutzt werden.
13. Verwenden Sie niemals ätzende Lösungsmittel, die Materialien im Druckluftsystem beschädigen könnten.
14. Stellen Sie nach Montagearbeiten oder anderen Arbeiten sicher, dass keine Werkzeuge, Lappen oder Ersatzteile im Gerät zurückgelassen wurden.
15. Stellen Sie nach Wartungs- oder Reparaturarbeiten und vor Beginn des Betriebs im normalen Modus sicher, dass der Betriebsdruck, die Temperatur und andere Werte richtig eingestellt sind. Stellen Sie sicher, dass alle Steuergeräte installiert sind und einwandfrei funktionieren.
16. Wischen Sie beim Wechsel von Filtern, Abscheidern usw. Staub-, Schmutz- und Ölablagerungen an der jeweiligen Stelle mit einem trockenen Tuch ab.
17. Schützen Sie Motor, Luftfilter, elektrische Komponenten, Steuerkomponenten usw. vor Kontakt mit dem Kondensat. Blasen Sie sie zum Beispiel mit trockener Luft ab.

2. System und Mechanismus.



Die Nichtbeachtung dieser Anleitung, die Verwendung von nicht originalen Ersatzteilen und das Fehlen eines Garantiezertifikats können zum Erlöschen der Garantie führen.

2.1 Technische Daten.

Die wichtigsten Merkmale der Schleifstrahlmaschine VAC series von Contracor sind:

Leistung, Tonnen/Stunde*	4,0
Max. Körnung bei kantigem Stahlguss, mm**	G 40 (0,30 – 0,80)
Saugschlauch max. Länge, m***	10
Nennspannung, Phase/V/Hz	3/380-420/50
Schalldruckpegel, dB(A)****	72
Antriebsleistung, kW	5,5
Filterfläche, m ²	7,5
Filterstoff	Polyester
Gewicht, kg	420

* Die Leistung bei anderen Strahlmitteln variiert je nach spezifischem Gewicht und Kornform.

** Die maximale Korngröße bei anderen Strahlmitteln variiert je nach spezifischem Gewicht und Kornform.

*** Im Lieferumfang sind 3 Meter Saugschlauch enthalten

**** Gemessen nach ISO 3744

2.2 Funktion.

Das VAC-5 Strahlmittel Rückgewinnungssystem dient zum schnellen Rücktransport von Strahlmitteln für die anschließende Zyklon-Reinigung sowie zum Laden von Strahlmitteln in einen Strahlkessel (Contracor Blast Razor-200). Das VAC-5 Strahlmittel Rückgewinnungssystem kann zur Ausstattung von Strahlflächen oder Strahlhäusern eingesetzt werden. Als Strahlmittel darf Stahlkies nur bis mittelgroßer Körnung genutzt werden. Schwere Strahlmittel und kugelförmige Strahlmittel wie Edelstahlrundkugeln dürfen jedoch nicht verwendet werden. Das VAC-5 befüllt den Strahlkessel im Automatikmodus, wobei das Strahlmittel manuell (mit einem Kehrbesen oder einer Schaufel) in den Aufnahmetrichter gegeben wird.

2.3 Funktionsweise.

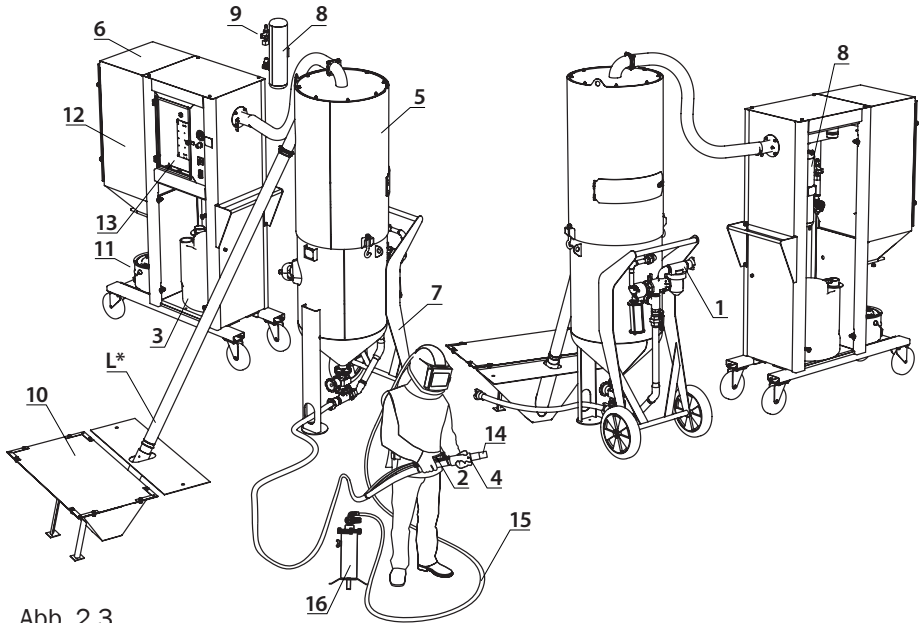


Abb. 2.3.

Pos.	Bezeichnung	Pos.	Bezeichnung
1	Fernbedienungseinheit	9	Magnetventil mit Zeitschaltuhr
2	Fernbedienungskonsole	10	Aufnahmetrichter
3	Vakuumpumpe	11	Staubfänger
4	Düsenhalter	12	Filter
5	Zyklon	13	Schaltkasten
6	Filtereinheit	14	Düse
7	Strahlmaschine	15	Schlauch
8	Druckbehälter	16	Atemluftfilter

L* Die Länge des Saugschlauchs beträgt 3m, optimal für Anwendung kantigem Stahlguß bis max. ca. 0,8 mm. Die Schlauchlänge kann je nach verwendetem Strahlmittel variiert werden.

Die Druckluft vom Kompressor wird zur Strahlkessel RCV-Fernbedienung (1) (siehe Betriebsanleitung der genannten Ausrüstung) und zum Druckbehälter der Jet-Pulse-Abreinigung (8) geleitet.

Am Druckbehälter (8) ist ein Magnetventil mit Zeitschaltuhr (9) angebracht, welches durch Druckluftimpulse in regelmäßigen Zeitabständen den Filter (12) in der Filtereinheit (6) bereinigt.

Beim Einschalten des VAC-5 Strahlmittel Rückgewinnungssystems (durch das Betätigen des Hauptschalters und des Doppeltasters) wird der elektrische Seitenkanalverdichter (3) mit Strom versorgt. Der Seitenkanalverdichter (3) erzeugt Unterdruck in der Filtereinheit (6), im Zyklonabscheider (5) und im Saugschlauch.

Das Strahlmittel wird aus dem Aufnahmetrichter (10) eingesaugt und durch den Zyklonabscheider (5) geführt. Schwere Partikel im Zyklonabscheider verlieren ihre Geschwindigkeit und fallen durch ein Sieb zum Kesseldruckventil des Strahlkessels. Im drucklosen Zustand wird die Strahlmaschine (7) mit dem gesammelten Strahlmittel wieder befüllt. Staub und leichtere Partikel gelangen durch den Zyklonabscheider (5) in die Filtereinheit (6) und werden dort vom Filter (12) aufgefangen.

3. Inbetriebnahme.

3.1 Anheben.

Führen sie eine Sichtprüfung auf Verpackungsschäden durch. Wenn keine Schäden vorhanden sind, dann platzieren Sie die Einheit in der Nähe des für die Installation vorgesehenen Standorts und packen die Einheit aus. Das Gerät darf nur mittels der entsprechenden Handhabungsvorrichtungen oder Hubeinrichtung bewegt werden. Das Gerät darf nicht manuelle angehoben oder bewegt werden. Auch das verpackte Gerät muss an einem vor Witterungseinflüssen geschützten Ort gelagert werden. Es ist äußerste Vorsicht geboten. Schwere Einwirkungen (Stöße und Stürze) können irreparable Schäden verursachen. Gehen Sie mit Sorgfalt vor. Starke Schläge (Ruckeln, Fallen) können zu irreparablen Schäden führen.



Das Vorhandensein von Kratzern und Abplatzungen kann zum Verlust der Garantie führen.

3.2 Abmessungen.

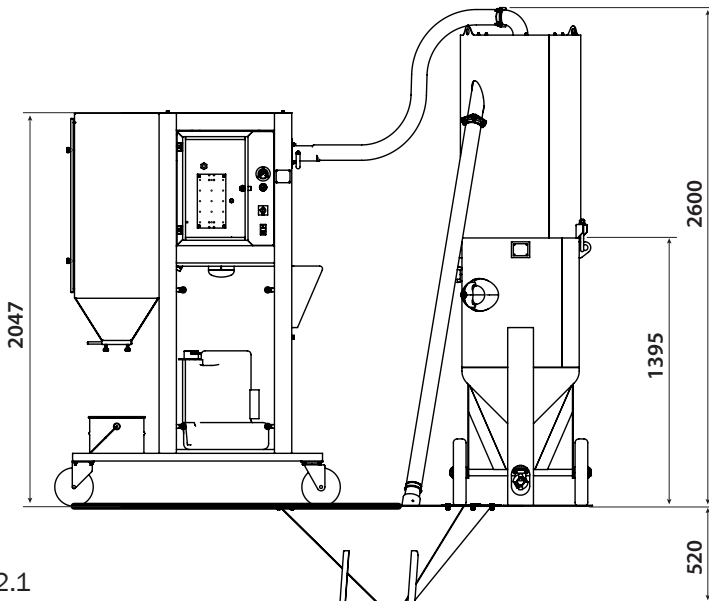


Abb. 3.2.1

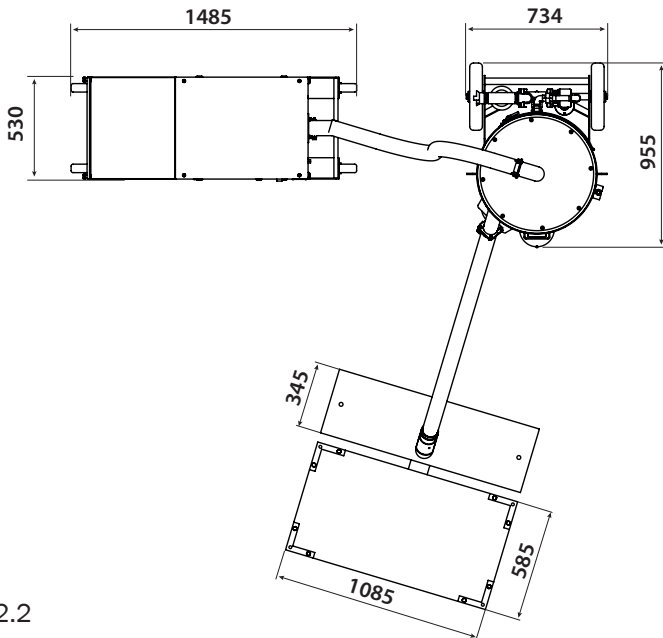


Abb. 3.2.2

3.3 Vorbereitung des Standorts.



Die Aufstellung der Maschine in ungeeigneten Umgebungen kann ihre Leistung durch Überlastung beeinträchtigen. In derartigen Fällen ist die Leistung nicht garantiert.

Anforderungen für die Installation:

- Die Anlage muss sauber, staubfrei, trocken und gegen Witterungseinflüsse geschützt sein;
- Der Boden der Anlage muss eben und eben sein und das Gewicht der Maschine tragen;
- Die Maschine ist mobil und benötigt keine Befestigung am Boden;
- Zu allen Wartungstüren und -bereichen muss ein freier Zugang gewährleistet sein.

3.4 Anschluss an die Spannungsversorgung und Elektroschaltplan.

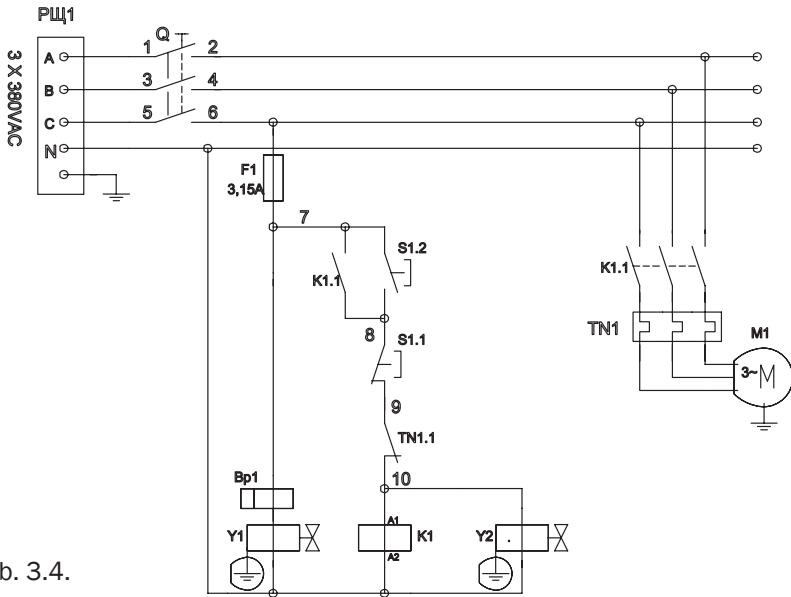


Abb. 3.4.

K1	Schütz	F1	Sicherung
S1	Start-/Stopptaste	RSh1	Ecksteckdose
Q	Messerschalter	Y2	Pneumatikventil
M1	Elektromotor	Vr1	Timer
Y1	Puls-Pneumatikventil	TN1	Thermoschalter



Alle elektrischen Arbeiten müssen von einem qualifizierten Elektriker nach nationalen und lokalen Normen durchgeführt werden.

Ein Anschlussplan ist im Lieferumfang der Maschine enthalten. Prüfen Sie nach dem Anschließen der Vakuumpumpe die Drehrichtung durch kurzes Ein- und Ausschalten des Schalters. Das Vakuumpumpen-Laufrad muss sich in der Pfeilrichtung drehen wie auf Aufkleber auf dem Pumpengehäuse angegeben.



Der Blick in den Förderstutzen der Vakuumpumpe während des Betriebs und die Verwendung der Maschine mit offenen Gitterplatten sind nicht gestattet.

Aus dem Förderstutzen der Pumpe herausgeschleuderte Partikel können zu Augen- und Gesichtsverletzungen führen.

4. Verwendung.

4.1 Platzierung des Trichters.

Der Aufnahmetrichter wird direkt im Strahlraum platziert. Für die abgesunkene Bodeninstallation des Aufnahmetrichters müssen die entsprechenden Umbaumaßnahmen vom Kunden durchgeführt werden. Der Füllstand des Aufnahmetrichters sollte etwas niedriger sein, damit das Strahlmittel problemlos in den Trichter gelangen kann. Das Strahlmittel wird mit einem Kehrbesen oder einer Schaufel manuell geladen.

Bodenöffnung

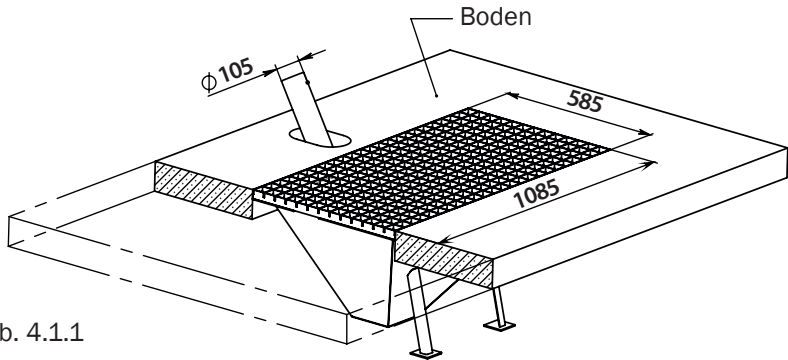


Abb. 4.1.1

Schnitt Bodenöffnung

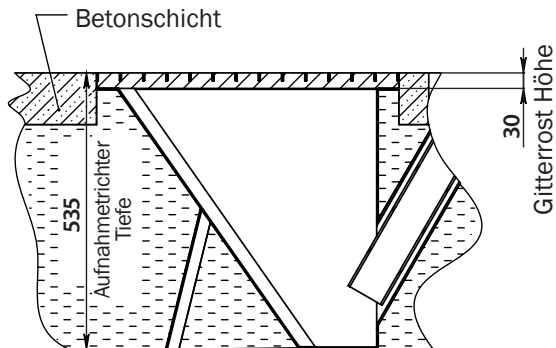


Abb. 4.1.2

4.2 Einrichtung.



Vor dem Strahlen müssen die Tür des Zyklonabscheiders und die Tür der Filterkammer geschlossen sein.

1. Schließen Sie den Druckluftschlauch an die Pneumatikeinheit an und sichern Sie die Verbindung mit einer Schelle. Schalten Sie die Druckluftversorgung der Pneumatikeinheit ein und achten Sie auf Dichtheit.
2. Entfernen Sie die Rückwand der Maschine. Vergewissern Sie sich, dass alle Schläuche fest angeschlossen sind. Stellen Sie den Druck des Druckbehälters mit dem Manometer und dem Druckminderer vor dem Druckbehälter auf 4,5 bar ein. Stellen Sie am Timer des Magnetventils eine Ansprechzeit von 2 Minuten und ein Öffnungsintervall von 100 ms ein. Diese Werte können während des Betriebs eingestellt werden (Abschnitt 5.3). Montieren Sie die Rückwand der Maschine wieder an ihrem Platz.
3. Stellen Sie mit Druckminderer und Manometer den Reinigungsdruck am Steuerungspanel auf 5 bar ein.
4. Schalten Sie die Maschine durch Drehen des Messerschalters und Drücken der grünen Einschalttaste ein. Die Vakuumpumpe schaltet sich ein.



Falls Staub aus dem Staubbehälter, dem Zyklonabscheider, der Filterkammer oder der Förderdüse der Vakuumpumpe in die Umgebung austritt, muss das Strahlen sofort gestoppt (siehe unten) werden, und die Maschine muss abgeschaltet werden. Prüfen Sie, dass der Filter korrekt eingebaut, nicht verschlissen und nicht beschädigt ist. Prüfen Sie weiterhin, dass die Türen von Filterkammer und Zyklonabscheider hermetisch verschlossen sind. Einatmen von Staub über einen längeren Zeitraum kann zu schweren Lungenerkrankungen oder zum Tod führen. Das Verschlucken von giftigem Staub, wie z.B. Bleistaub, stellt bereits über eine kurze Zeit eine unmittelbare Gesundheitsgefährdung dar.

Die Toxizität und das Gesundheitsrisiko hängen vom Staub ab, der während des Strahlreinigungsprozesses entsteht. Alle bei der Strahlreinigung entfernten Stoffe müssen bestimmt werden, und es muss ein Sicherheitszertifikat für das Strahlmittel eingeholt werden.

5. Einstellung.

5.1 Einstellen der Filterreinigung.

Die Filterkammer ist mit einer automatischen Impulsabreinigung der Filterpatrone ausgestattet. Der Standarddruck für die Impulsabreinigung beträgt 4-5 bar. Der Reinigungsdruck wird über den am Druckbehälter des Reinigungssystems installierten Druckminderer eingestellt und mit dem Manometer überwacht.

Bietet die Impulsabreinigung keine ausreichende Reinigung der Filterpatrone, muss der Impulsdruck in Schritten von 0,5 bar auf den maximalen Druck von 6,0 bar erhöht werden. Eine Erhöhung des Impulsdrucks auf mehr als 6,0 bar kann zu Schäden am Filtergehäuse und am Filter selbst führen.

Wenn die Staubablagerung auf der Filterpatrone nach dem Druckanstieg zunimmt, sollte die Impulsdauer erhöht werden (Einstellung an jedem Pneumatikventil in Millisekunden (ms)), und die Intervalle zwischen den Impulsen sollten reduziert werden (in Minuten (min)).

Die Leistung der magnetgesteuerten Pneumatikventile kann durch Drücken der Test-Taste überprüft werden.

6. Wartung.

6.1 Vorbeugende Wartung.

6.1.1 Staubbehälter

Leeren Sie den Staubbehälter regelmäßig. Überprüfen Sie den Behälter mindestens einmal am Tag oder wenn Sie Strahlmittel nachfüllen. Passen Sie dann die Häufigkeit der Überprüfung der Nutzung der Kabine und der Verunreinigung und Bröckeligkeit des Strahlmittels an.

6.1.2 Luftfilter

Die Kabine ist mit einem manuell entleerbaren Luftfilter ausgerüstet. Entleeren Sie den Filter mindestens einmal täglich oder häufiger, falls notwendig, oder wenn Sie bemerken, dass feiner Nebel aus der Düse austritt. Feuchte Luft behindert den Strahlmittelfluss. Falls weiterhin Feuchtigkeit auftritt, kann es notwendig sein, einen Lufttrockner vorzuschalten.

6.1.3 Schläuche und Anschlüsse

Überprüfen Sie die Schläuche regelmäßig auf Anzeichen von Verschleiß (insbesondere bei Knicken). Die Oberfläche eines Schlauchs darf keine Risse oder Sprünge aufweisen. Tauschen Sie den Schlauch bei Bedarf aus.

6.1.4 Sieb der Zyklonabscheider

Der Zyklonabscheider ist mit einem Schmutzfangsieb ausgestattet, das verhindert, dass Fremdkörper und Rückstände der gereinigten Oberflächen in die Strahlanlage gelangen. Das Sieb muss täglich gereinigt werden.



Das Sieb darf grundsätzlich nicht bei eingeschaltetem Filterkammergebläse gereinigt werden.

Die Maschine darf nicht ohne montiertes Sieb betrieben werden.

Der Zyklon ist mit Türen für den Zugang zum Sieb ausgestattet. Um das Sieb auszubauen, heben Sie es leicht an und drehen Sie es im Uhrzeigersinn. Montieren Sie das Sieb in umgekehrter Reihenfolge.

6.2 Wartung.

6.2.1 Austausch der Filterpatrone



Nichtbeachtung der Anforderungen an die Verwendung persönlicher Schutzausrüstung bei der Wartung von Maschine und Staubbehälter oder beim Entleeren des Staubbehälters kann zu erheblichen Augenreizungen, Lungenerkrankungen oder zum Tod führen.

Die Toxizität und das Gesundheitsrisiko hängen von der Art des Strahlmittels und dem Staub ab, der während des Strahlreinigungsprozesses entsteht.

Es muss ein für die jeweilige Staubart geeignetes Atemschutzgerät verwendet werden. Alle durch den Strahlreinigungsvorgang entfernbaren Stoffe müssen bestimmt werden, und es muss ein Sicherheitszertifikat für das Strahlmittel eingeholt werden.

Um die Filterpatrone der Staubbehälterkammer zu wechseln, führen Sie die folgenden Schritte aus:

1. Sperren Sie die Druckluftzufuhr zur Pneumatikeinheit ab.
2. Entlüften Sie den Druckbehälter des Impulsabreinigungssystems vollständig.
3. Schrauben Sie die 4 Muttern mit schwarzen Kunststoffgriffen an der Tür der Filterkammer ab und entfernen Sie die Tür.
4. Schrauben Sie die Mutter mit dem schwarzen Kunststoffgriff unter der Filterpatrone ab und entfernen Sie die Unterlegscheiben zur Befestigung der Filterpatrone.
5. Entfernen Sie die Filterpatrone, indem Sie sie nach unten und zu sich ziehen.
6. Prüfen Sie den oberen Metallflansch, gegen den der Dichtring der Filterpatrone anliegt. Auf dem Flansch dürfen sich keine Rückstände des Rings befinden. Reinigen Sie bei Bedarf den Flansch.
7. Montieren Sie die neue Filterpatrone in umgekehrter Reihenfolge. Montieren Sie die Unterlegscheiben in der richtigen Reihenfolge.
8. Schrauben Sie die Mutter mit dem schwarzen Kunststoffgriff so lange auf, bis sich die Filterpatrone nicht mehr von Hand um ihre Achse drehen lässt. Ziehen Sie die Mutter um eine weitere Umdrehung an.
9. Prüfen Sie die Dichtung der Filterkammertür auf Verschleiß. Ersetzen Sie sie bei Bedarf und achten Sie darauf, dass keine Lücken in den Dichtfugen vorhanden sind.
10. Schließen Sie die Filterkammertür und ziehen Sie die 4 Muttern mit schwarzen Kunststoffgriffen an.

7. Fehlerbehandlung.

Fehler	Mögliche Ursache	Abhilfe
Übermäßiger Strahlmittelverbrauch	Die Tür des Zyklonabscheiders ist entweder offen oder nicht vorhanden, oder die Dichtung ist falsch montiert oder verschlissen. Das Eindringen von Luft in den Zyklonabscheider bewirkt, dass Strahlmittel in die Filterkammer gelangt.	Schließen Sie die Tür des Zyklonabscheiders fest. Falls erforderlich, tauschen Sie die Türdichtung aus. Die Maschine darf nicht mit geöffneter Tür des Zyklonabscheiders betrieben werden.
	Ein Loch, das durch Verschleiß im Zyklonabscheider oder Leckage an den Nähten des Zyklonabscheiders verursacht wird.	Überprüfen Sie den Zyklonabscheider visuell auf Dichtheit.
	Die Verwendung von extrem kleinen, abgenutzten oder weichen Strahlmitteln, die sich schnell auflösen.	Ersetzen Sie das Strahlmittel.
	Ein zu hoher Düsendruck, der für das verwendete Strahlmittel zu hoch ist, führt zur Zersetzung des Materials.	Reduzieren Sie den Druck mit dem Druckminderer am Steuerungspanel.

Fehler	Mögliche Ursache	Abhilfe
Abnahme der Strahlreinigungs-Geschwindigkeit	Unzureichende Strahlmittel-Füllmenge (reduzierter Strahlmittelfluss).	Füllen Sie Strahlmittel nach.
	Falsche Einstellung der Strahlmittel-Dosiervorrichtung (zu viel Strahlmittel im Gemisch mit Druckluft, wodurch Strahlmittel die Düse verstopft).	Stellen Sie die Dosiervorrichtung der Strahlanlage ein.
	Geringer Druck der Druckluft, die der Strahlanlage zugeführt wird.	Stellen Sie den Druck am Druckminderer am Steuerungspanel ein.
	Verstopfung des Strahlmittelschlauchs oder der Düse.	Überprüfen Sie bei ausgeschalteter Vakuumpumpe, ob sich im Zyklonabscheider ein Schmutzfangsieb befindet. Überprüfen Sie die Schleifdüse im Vakuumkopf. Nachdem Sie den Körper des Vakuumkopfes und der Düse aus dem Düsenhalter gelöst und in eine sichere Richtung gerichtet haben, drücken Sie die Taste an der Fernbedienungskonsolle und führen Sie dem Düsenhalter Luft zu, um den Schlauch und den Düsenhalter von Verstopfungen zu befreien.
	Verschleiß der Düse.	Überprüfen Sie die Düse auf Verschleiß und ersetzen Sie ggf. die Düse.
	Verschleiß des Strahlschlauches.	Überprüfen Sie den Schlauch auf Risse und abgenutzte Bereiche. Ersetzen Sie das Teil, wenn es abgenutzt oder beschädigt ist.
	Feuchtes Strahlmittel.	Lassen Sie das Kondensat aus dem Wasserabscheider und dem Filter der Pneumatikeinheit ab.

Fehler	Mögliche Ursache	Abhilfe
Aus der Düse tritt nur Luft aus (kein Strahlmittel).	In der Strahlanlage fehlt es an Strahlmittel (aufgrund von übermäßigem Strahlmittelverbrauch).	Siehe „Übermäßiger Strahlmittelverbrauch“.
	Die Dosiervorrichtung der Strahlanlage ist zu stark geschlossen.	Stellen Sie die Dosiervorrichtung ein.
	Verstopfung der Dosiervorrichtung.	Drücken Sie die Taste auf der Fernbedienung und bitten Sie eine andere Person, Ihnen beim kurzen mehrmaligen Öffnen und Schließen des Kugelhahns zu helfen, um Druckluft in die Strahlanlage zu leiten. Wenn dies nicht hilft, schalten Sie die Maschine aus und demontieren und reinigen Sie die Dosiervorrichtung.
	Die Pneumatikschläuche der Steuerung sind beschädigt.	Überprüfen Sie die Polyurethan-Pneumatikschläuche der Steuerung auf Knicke oder Undichtigkeiten.
	Ausfall der Dosiervorrichtung.	Reparieren oder ersetzen Sie die Dosiervorrichtung.
Aus der Düse strömen weder Strahlmittel noch Druckluft.	Die Strahldüse oder der Schlauch ist verstopft.	Siehe „Abnahme der Strahlreinigungsgeschwindigkeit“.
	Die Strahlanlage ist nicht druckdicht.	Siehe „Die Strahlanlage ist nicht druckdicht“.
	Die Dosiervorrichtung und der Kugelhahn der Strahlanlage sind geschlossen.	Stellen Sie die Dosiervorrichtung ein und öffnen Sie den Kugelhahn zur Druckluftversorgung der Strahlanlage.
	Das Magnet-Sicherheitsventil öffnet nicht.	Achten Sie unter Beachtung der elektrischen Sicherheitsvorschriften darauf, dass die Spule des Magnetventils richtig angeschlossen ist. Falls erforderlich, ersetzen Sie das Ventil.

Fehler	Mögliche Ursache	Abhilfe
Die Strahlreinigung hört nicht auf, wenn die Taste an der Fernbedienungskonsole losgelassen wird.	Das Dreiwegeventil an der Fernbedienungskonsole ist defekt.	Vergewissern Sie sich, dass das Dreiwegeventil an der Fernbedienungskonsole beim Loslassen der Taste den Druck an die Umgebung abgibt. Wenn dies nicht der Fall ist, ersetzen Sie die Fernbedienungskonsole.
Die Strahlanlage ist nicht druckdicht.	Der Strahlanlage wird keine Druckluft zugeführt.	Stellen Sie sicher, dass der Kompressor Druckluft liefert.
	Der Druckminderer ist auf einen zu niedrigen Luftdruck eingestellt.	Stellen Sie den Druck ein. Der Druck darf nicht unter 3 bar liegen.
	Verschlossene Membran des Auslassventils.	Demontieren Sie das Auslassventil der Strahlanlage und prüfen Sie die Membran auf Verschleiß. Falls erforderlich, ersetzen Sie das Teil.
	Die Pneumatikschläuche der Steuerung sind beschädigt.	Überprüfen Sie die Pneumatikschläuche, die die Start-/Stopp-Einheit steuern, auf Knicke oder Undichtigkeiten.
	Das Dreiwegeventil an der Fernbedienungskonsole ist defekt.	Vergewissern Sie sich, dass das Dreiwegeventil an der Fernbedienungskonsole beim Loslassen der Taste den Druck an die Umgebung abgibt. Wenn dies nicht der Fall ist, ersetzen Sie die Fernbedienungskonsole.
	Die Anschlussschläuche der Fernbedienungskonsole sind vertauscht.	Tauschen Sie die Schläuche untereinander aus.

Fehler	Mögliche Ursache	Abhilfe
Die Strahlanlage schaltet sich nicht aus und drucklos oder nur sehr langsam ab.	Das Dreiwegeventil an der Fernbedienungskonsole ist defekt.	Vergewissern Sie sich, dass das Dreiwegeventil an der Fernbedienungskonsole beim Loslassen der Taste den Druck an die Umgebung abgibt. Wenn dies nicht der Fall ist, ersetzen Sie die Fernbedienungskonsole.
	Der Schlauch zur Steuerung des Auslassventils ist gequetscht, beschädigt oder blockiert.	Überprüfen Sie den Schlauch auf Bruch und Beschädigung und ersetzen Sie ihn gegebenenfalls.
Das Strahlmittel-Luft-Gemisch ist mit Strahlmittel übersättigt. Beim Anfahren tritt eine pulsierende Strömung des Strahlmittel-Luft-Gemischs auf.	Der Kugelhahn an der Strahlanlage ist entweder geschlossen oder nicht ausreichend geöffnet.	Öffnen Sie den Kugelhahn vollständig.
	Die Strahlmittel-Dosiervorrichtung ist zu stark geöffnet.	Stellen Sie die Dosiervorrichtung ein. Wenn die Einstellung die Menge des Strahlmittels in der Mischung nicht reduziert, schalten Sie die Maschine aus, entladen Sie das Strahlmittel und demontieren und prüfen Sie die Dosiervorrichtung.
Staubleckage aus der Filterkammer	Die Filterpatrone ist beschädigt oder nicht richtig befestigt.	Schalten Sie die Vakuumpumpe aus. Öffnen Sie die Filterkammertür und vergewissern Sie sich, dass die Filterpatrone ordnungsgemäß installiert und nicht beschädigt ist.
	Defekte Dichtung an der Tür der Staubbehälterkammer.	Schalten Sie die Vakuumpumpe aus. Öffnen Sie die Tür der Filterkammer und überprüfen Sie die Türdichtung auf Integrität und Verschleiß. Falls erforderlich, ersetzen Sie die Dichtung.
Staubleckage am Auslassventil.	Verschlossene Dichtung des Auslassventils.	Ersetzen Sie die Dichtung.



Внимательно ознакомьтесь с технической документацией, инструкцией по эксплуатации и правилам техники безопасности. Большинство несчастных случаев при эксплуатации компрессорной техники происходит из-за несоблюдения правил безопасности. Не допускайте возникновения опасных ситуаций и соблюдайте соответствующие правила техники безопасности.



Производитель оставляет за собой право вносить изменения в конструкцию изделия без предварительного уведомления.

© Contracor ®. Все права защищены.

Перепечатка текста и / или использование графики, допускается только с письменного разрешения Contracor ®.

Производитель оставляет за собой право без уведомления потребителя вносить изменения в конструкцию изделий для улучшения их технологических и эксплуатационных параметров.

Вид изделий может незначительно отличаться от представленных на изображениях.

Содержание


Правила техники безопасности.	54
1.1 Символы, использованные в инструкции	54
1.2 Общие правила безопасности	54
1.3 Меры безопасности при вводе в эксплуатацию.	55
1.4 Меры безопасности при эксплуатации.	56
1.5 Меры безопасности при обслуживании и ремонте.	57
Устройство и принцип работы	59
2.1 Технические данные.	59
2.2 Назначение.	59
2.3 Принцип работы.	60
Ввод в эксплуатацию.	62
3.1 Такелажные работы	62
3.2 Габаритные размеры.	62
3.3 Подготовка помещения.	63
3.4 Подключение к электропитанию и электросхема.	64
Эксплуатация.	66
4.1 Размещение приемного бункера	66
4.2 Подготовка к работе	67
Настройка.	68
5.1 Регулировка очистки фильтров	68
Техническое обслуживание	69
6.1 Профилактическое обслуживание	69
6.2 Сервисное обслуживание	70
Устранение неисправностей.	71

1. Правила техники безопасности.

1.1 Символы, используемые в инструкции.

	Опасно для жизни!
	Предупреждение
	Внимание!

1.2 Общие правила безопасности.

	Вся ответственность за травмы или повреждения, полученные вследствие несоблюдения правил техники безопасности при установке, эксплуатации или обслуживанию, а также при несанкционированном использовании данного оборудования, возлагается на потребителя!
---	---

1. Оператор должен неукоснительно соблюдать правила техники безопасности, предусмотренные этими инструкциями и местным законодательством!
2. При сравнении данных правил безопасности с правилами местного законодательства, необходимо выбирать те, которые предъявляют более жёсткие требования!
3. К эксплуатации, техническому обслуживанию и ремонту оборудования Contracor допускается только обученный обслуживающий персонал с соответствующей степенью профессиональной подготовки!

4. Сжатый воздух непосредственно после компрессора может содержать масла и углекислый газ и не является пригодным для дыхания! Необходимо провести очистку сжатого воздуха до класса чистоты воздуха пригодного для дыхания, соответствующего нормам местного законодательства!
5. Сжатый воздух – источник энергии высокой степени опасности. Запрещается использование сжатого воздуха не по назначению! Не применяйте его для чистки одежды и обуви, не направляйте рукава сжатого воздуха в сторону людей и животных! При использовании воздуха для чистки оборудования, делайте это с особой осторожностью с применением защитных очков!
6. Все работы по техническому обслуживанию, ремонту, настройке, монтажу и т.п. должны производиться при выключенном оборудовании, с отключенным от сети кабелем питания, с отсоединенными от изделия рукавами сжатого воздуха, работы необходимо проводить в защитных очках! Убедитесь, что оборудования отключено от сети сжатого воздуха и не находится под давлением!


1.3 Меры безопасности при вводе в эксплуатацию.




Вся ответственность за травмы или повреждения, полученные вследствие несоблюдения правил техники безопасности при установке, эксплуатации или обслуживанию, а также при несанкционированном использовании данного оборудования, возлагается на потребителя!

1. Разгрузка/погрузка оборудования должна проводиться только при помощи соответствующих приспособлений или подъёмных механизмов. Ручной подъём запрещён. Не оставляйте оборудование в подвешенном состоянии. При разгрузочных работах используйте каску.
2. Разместите изделие в сухом и чистом помещении, исключающем прямого воздействия атмосферных осадков. Помещение должно хорошо проветриваться; при необходимости обеспечьте принудительной вентиляцией. Следует обеспечить свободный доступ ко всем дверям и зонам обслуживания, а также удобство работы с крупными деталями.
3. Запрещается использовать изношенные, поврежденные или испорченные рукава сжатого воздуха. Убедитесь, что рукава по номинальному диаметру и рабочему давлению соответствуют данному оборудованию.
4. При использовании в системе нескольких компрессорных станций, каждый компрессор должен предполагать наличие ручного крана для возможности отсечения любого из них в случае возникновения внештатных ситуаций.

5. Не допускается наличие в атмосферном воздухе взрыво- и пожароопасных примесей, таких как: пары растворителей, углеродная пыль и т.п.
6. Обеспечьте свободный доступ к рукаву сжатого воздуха из компрессора. Не захлампыайте его, не храните в непосредственной близости легковоспламеняющиеся материалы.
7. Не пережимайте, не деформируйте подводные рукава сжатого воздуха.
8. Обеспечьте хорошее проветривание помещения.
9. Оборудование должно быть заземлено. Обеспечьте защиту от короткого замыкания. Пусковой рубильник должен находиться в непосредственной близости от оборудования и иметь защиту от несанкционированного запуска.

	<p>Потребитель несет полную ответственность за соответствие условий эксплуатации электрических компонентов, установленных в оборудовании.</p> <p>Эксплуатация оборудования без защитной аппаратуры не допускается. Защитная аппаратура должна обеспечивать защиту электрического платы управления от коротких замыканий, перегрузок (систематической и пусковой) и неполнофазных режимов.</p> <p>Установка защитной аппаратуры является обязанностью потребителя.</p>
---	---

1.4 Меры безопасности при эксплуатации.

	<p>Вся ответственность за травмы или повреждения, полученные вследствие несоблюдения правил техники безопасности при установке, эксплуатации или обслуживанию, а также при несанкционированном использовании данного оборудования, возлагается на потребителя!</p>
--	--

1. Убедитесь, что рукава по номинальному диаметру и рабочему давлению соответствуют данному оборудованию. Перед запуском проверьте крепление каждого соединения рукава. Не полностью закреплённый рукав может стать причиной серьёзных травм
2. Никогда не включайте оборудование, если есть подозрение на наличие в атмосферном воздухе легковоспламеняющихся примесей!
3. Оператору запрещается работать с оборудованием, если он утомлен, находится под воздействием алкоголя, наркотических средств или лекарственных препаратов, вызывающих замедленную реакцию организма.
4. Запрещается работа оборудования с демонтированными элементами корпуса. Двери или панели могут быть открыты на непродолжительные моменты времени для осмотра и плановых проверок. При это рекомендуется использовать оборудования для защиты органов слуха.



В некоторых типах оборудования открытие дверей или снятие панелей во время работы может привести к его перегреву.

5. Периодически проверяйте:

- наличие на своих местах предохранительных устройств и их крепление;
- работоспособность предохранительных устройств, отсутствие грязи и т.п.;
- исправность и герметичность всех рукавов и трубопроводов;
- отсутствие утечек;
- отсутствие износа перчаток, шлангов, прокладок и фитингов;
- затяжку крепёжных элементов и элементов конструкции;
- все электрические кабели и контакты на исправность и безопасность;
- наличие заземления установки.

1.5 Меры безопасности при обслуживании и ремонте.



Вся ответственность за травмы или повреждения, полученные вследствие несоблюдения правил техники безопасности при установке, эксплуатации или обслуживанию, а также при несанкционированном использовании данного оборудования, возлагается на потребителя!

1. Разрешается использовать только оригинальные запасные части и вспомогательные принадлежности. Использование запчастей других производителей может привести к непредсказуемым последствиям и, как результат, к несчастным случаям.
2. При проведении монтажных и ремонтных работ всегда используйте защитные очки!
3. Перед подключением или отключением оборудования отсоедините его от основной пневмосети. Убедитесь в отсутствии давления в рукавах!
4. Перед началом монтажных или прочих работ, убедитесь, что оборудование не нагружено давлением. Монтажные работы с оборудованием под давлением запрещены!
5. Все работы по техническому обслуживанию должны проводиться только тогда, когда температура элементов конструкции упадёт до комнатной.

6. Никогда не используйте для чистки элементов конструкции легковоспламеняющиеся растворители или тетрахлорид углерода. При протирке примите меры предосторожности против ядовитых паров чистящих жидкостей.
7. При проведении монтажных и ремонтных работ необходимо закрепить на панель управления информационную табличку для предотвращения несанкционированного запуска. Например, «Не включать. Работают люди!»
8. Содержите помещение, в котором установлено оборудование, в чистоте. Открытые входные и выходные отверстия во время монтажа закрывайте сухой ветошью или бумагой, во избежание попадания мусора в оборудование.
9. Запрещается проводить сварные и прочие подобные работы непосредственно вблизи данного оборудования, а также сосудов, работающих под давлением.
10. При малейшем подозрении на перегрев, воспламенение или другую внештатную ситуацию выключите оборудование. Незамедлительно обесточьте его.
11. Запрещается использование источников света с открытым пламенем для осмотра и ревизии оборудования.
12. Никогда не используйте едкие растворители, которые могут повредить материалы пневмосети.
13. После проведения монтажных и прочих работ убедитесь, что внутри не осталось инструмента, ветоши, запасных частей и т.п.
14. Перед началом работы в штатном режиме после технического обслуживания или ремонта, проверьте, что рабочее давление, температура и прочие характеристики выставлены правильно. Убедитесь, что все управляющие и контролирующие устройства установлены и функционируют верно.
15. При замене фильтров, клапанов, протрите сухой ветошью места их крепления от пыли, грязи, остатков масла.
16. Убедитесь, что рабочая зона надлежащим образом вентилируется; если необходимо, используйте респиратор.
17. Используйте защитные перчатки во время монтажных и ремонтных работ.

2. Устройство и принцип работы.



Несоблюдение данных инструкций, использование неоригинальных запчастей, отсутствие гарантийного талона может привести к прекращению действия гарантии.

2.1 Технические данные.

Основные технические характеристики вакуумной система сбора абразива Contracor VAC-5 приведены ниже:

Производительность установки по переносу абразива, тонны /час*	4,0
Макс. размер зерна абразива, стальная колотая дробь, мм**	G 40 (0,30 – 0,80)
Макс. длина всас. рукава, м ***	10
Напряжение, фаз/В/Гц	3/380-420/50
Уровень звукового давления, дБ ****	72
Мощность, кВт	5,5
Площадь фильтра, м2	7,5
Материал фильтра	Полиэстер
Масса, кг	420

* Производительность по другим видам абразивов варьируется в зависимости от удельного веса и формы зерна.

** Максимальный размер зерна по другим видам абразивов варьируется в зависимости от удельного веса и формы зерна.

*** В стандартный комплект поставки входит 3м всас. рукава.

**** В соответствии с ISO 3744

2.2 Назначение.

Вакуумная система VAC-5 предназначена для быстрого сбора и транспортировки абразивного материала с последующей очисткой, а также для его загрузки в абразивоструйную установку (используется совместно с абразивастрейной установкой Blast Razor-200). VAC-5 может использоваться для оборудования абразивоструйных площадок или обитаемых камер.

Абразивоструйным материалом может служить, например, колотая дробь среднего размера. Также могут применяться другие более легкие абразивы, которые могут быть подвержены рекуперации. Не допускается применение тяжёлых абразивов и абразивов с шарообразной формой зерна, например, круглая дробь из нержавеющей стали. Установка работает в автоматическом режиме с ручной (шёткой, лопатой) засыпкой абразива в приёмный бункер.

2.3 Принцип работы.

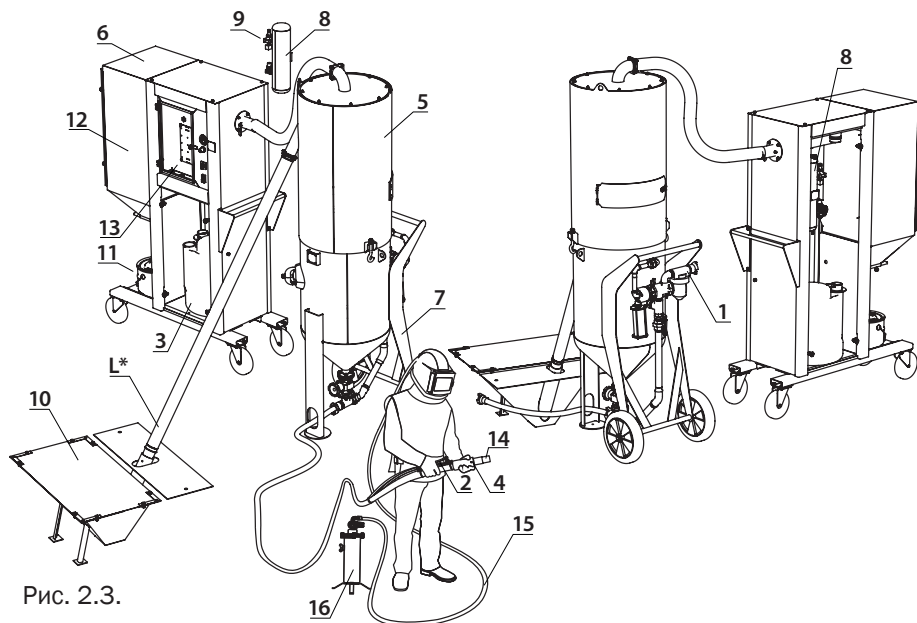


Рис. 2.3.

Поз.	Наименование	Поз.	Наименование
1	Блок ДУ	9	Импульсный электромагнитный запорный клапан с таймером
2	Пульт ДУ	10	Приемный бункер
3	Вакуумный насос	11	Пылесборник
4	Соплодержатель	12	Фильтр
5	Циклон	13	Электротящик
6	Фильтр-камера	14	Сопло
7	Абразивоструйный аппарат	15	Рукав
8	Ресивер	16	Фильтр воздуха дыхания

*L** длина всасывающего рукава составляет 3м, что является оптимальным при использовании абразива размером 0,8 мм (колотая дробь). Длину рукава можно варьировать в зависимости от используемого абразива.

Сжатый воздух от компрессора подаётся на блок дистанционного управления RCV(1) абразивоструйной установки Blast Razor-200 (смотри руководство по эксплуатации данного оборудования) и на ресивер (8).

На ресивере (8) установлен импульсный электромагнитный запорный клапан с таймером (9), который предназначен для кратковременной подачи воздуха через равные промежутки времени, с возможностью регулирования, к фильтру (12), фильтр-камеры (6) для его встряхивания и очистки от накопившейся пыли. При включении установки (поворотом рубильника и нажатием зелёной кнопки на панели электроящика (13)) подаётся напряжение на электрический вакуумный насос (3). Вакуумный насос (3) создаёт разрежение в фильтр-камере (6), циклонном сепараторе (5) и в рабочей полости рукава сбора абразива. Благодаря создаваемому разрежению происходит всасывание абразива из бункера (10) и попадание его в циклонный сепаратор (5). В циклонном сепараторе более тяжёлые частицы теряют энергию и падают вниз, через сито (для отделения крупных частиц), к запорному клапану абразивоструйного аппарата, чтобы при его разгерметизации вновь поступить в абразивоструйный аппарат (7). Таким образом, происходит цикличное использование абразива. Более лёгкие частицы пролетают через циклонный сепаратор (5) в фильтр-камеру (6), где происходит их улавливание фильтром (12). Более тяжёлые частицы опадают вниз и скапливаются в пылесборнике (11). По окончании обработки оператор убирает руку с пульта дистанционного управления (2). Прекращается подача основного потока сжатого воздуха в абразивоструйный аппарат (7). Стравливает избыточный воздух из абразивной установки. Запорный клапан бака (7) открывается, и накопившийся в циклонном сепараторе (5) абразив вновь поступает в абразивоструйный аппарат (7).

3. Ввод в эксплуатацию.

3.1 Такелажные работы.

Проверьте визуально отсутствие повреждений упаковки, если повреждений нет, поставьте установку рядом с выбранным местом монтажа и распакуйте. Подъем оборудования должно проводиться только при помощи соответствующих приспособлений или подъемных механизмов.

Даже в упаковке держите оборудование в защищенном от воздействия погодных явлений месте.

Обращаться с осторожностью. Сильные удары (толчки, падение) могут нанести непоправимый ущерб.



Присутствие на установке вмятин, сколов и прочих повреждений может привести к прекращению действия гарантии.

3.2 Габаритные размеры.

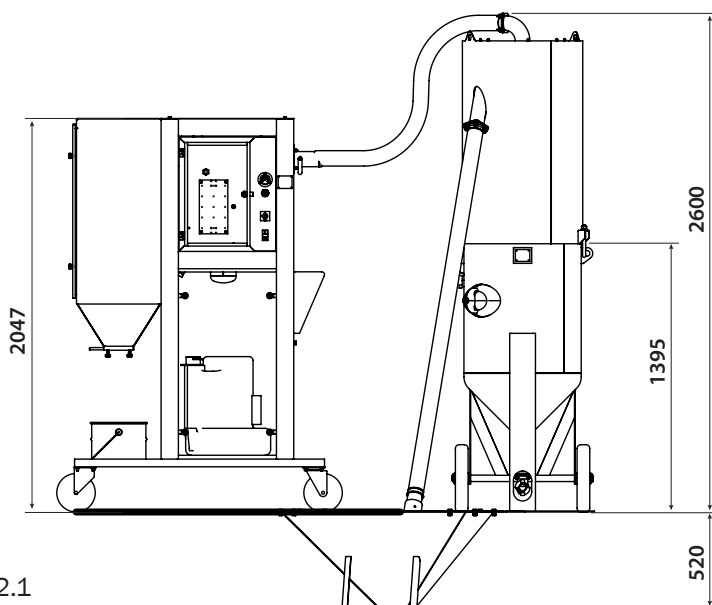


Рис. 3.2.1

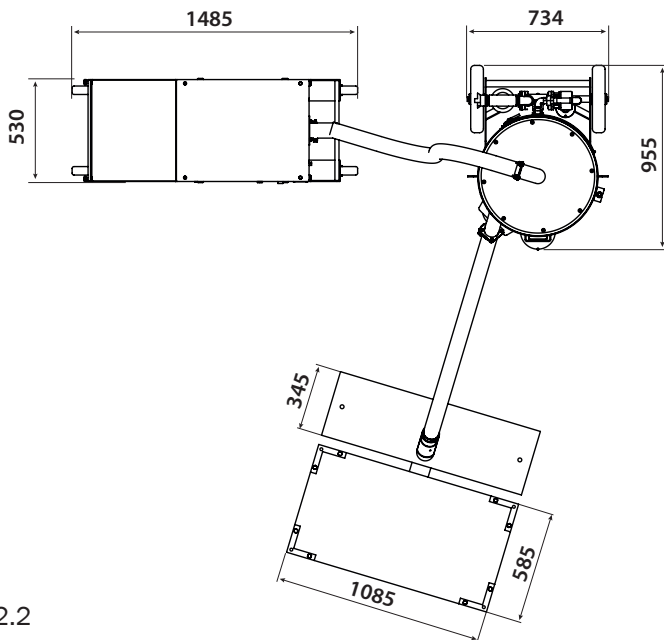


Рис. 3.2.2

3.3 Подготовка помещения.



Размещение установку в ненадлежащих окружающих условиях может привести к потере ее работоспособности вследствие сверхвысоких нагрузок. Такие ситуации не являются гарантийным случаем.

Требования к установке:

- помещение должно быть чистым, не запыленным, сухим, защищенным от атмосферных явлений;
- пол помещения должен быть ровный, горизонтальный и выдерживать вес установки;
- установка мобильна и не требует крепление к полу;
- следует обеспечить свободный доступ ко всем дверям и зонам обслуживания.

3.4 Подключение к электропитанию и электросхема.

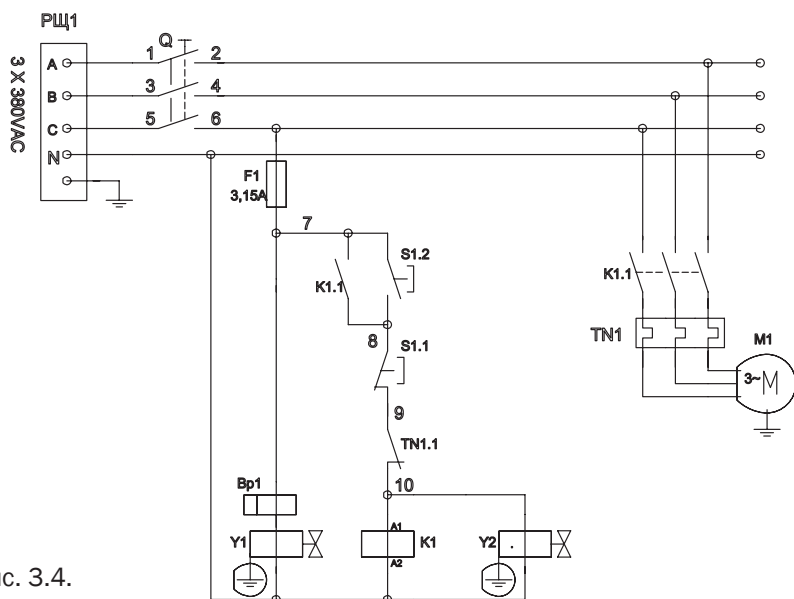


Рис. 3.4.

Поз.	Наименование	Поз.	Наименование
K1	контактор	F1	предохранитель
S1	кнопка старт, стоп	РЩ1	розетка угловая
Q	рубильник	Y2	пневмоклапан
M1	электродвигатель	Vp1	таймер
Y1	имп. пневмоклапан	TN1	тепловое реле



Все работы с электричеством должны выполняться квалифицированным электриком в соответствии с государственными и местными стандартами

Схема соединений входит в комплект поставки установки. После подключения необходимо проверить направление вращения вакуумного насоса, кратковременно включив и выключив выключатель. Направление вращения крыльчатки вакуумного насоса должно совпадать с направлением, указанным наклейкой со стрелкой на корпусе насоса.



Запрещается смотреть в нагнетательный патрубок вакуумного насоса при его работе и проводить эксплуатацию установки с открытыми решётчатыми панелями.

Частицы, вылетающие из нагнетательного патрубка насоса, могут вызвать травму глаз и лица.

4. Эксплуатация.

4.1 Размещение приемного бункера.

Приёмный бункер должен находиться непосредственно в зоне проведения абразивоструйных работ. Необходимо подготовить место в полу для установки бункера. Уровень бункера должен быть несколько ниже для удобства засыпания абразива. Загрузка абразива производится вручную: лопатой, щёткой и т.п.

Проем

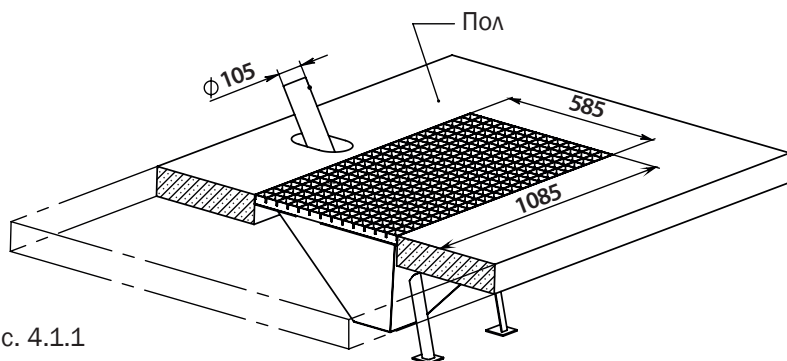


Рис. 4.1.1

Сечение проема



Рис. 4.1.2

4.2 Подготовка к работе.



Перед абразивоструйной обработкой необходимо закрыть дверцу циклонного сепаратора, дверь фильтр-камеры.

1. Подсоедините рукав сжатого воздуха к пневмоблоку, зафиксируйте соединение хомутом. Включите подачу сжатого воздуха к пневмоблоку, убедитесь в отсутствии утечек.
2. Снимите заднюю панель установки. Убедитесь в надёжном соединении всех рукавов. По манометру с помощью пневморедуктора, смонтированного перед ресивером, установите давление 4,5 бар в ресивере. На таймере импульсного электромагнитного клапана установите значение периода срабатывания 2 минуты и значение интервала открытия 100мсек; в процессе работы эти значения могут быть отрегулированы (п.п. 5.3). Установите на место заднюю панель установки.
3. По манометру с помощью пневморедуктора на панели электроящика установите давление очистки 5 бар.
4. Подайте напряжение на установку, повернув рубильник и нажав зелёную кнопку включения. Включится вакуумный насос. Для выключения установки нажмите красную кнопку выключения и переведите рубильник в позицию «выключить».



Если из пылесборника, циклонного сепаратора, фильтр-камеры или нагнетательного патрубка вакуумного насоса в окружающую среду выходит пыль, необходимо немедленно прекратить абразивоструйную обработку (см. ниже) и отключить установку. Далее следует убедиться в том, что фильтр правильно установлен, не изношен и не повреждены, а дверца фильтр-камеры и циклонного сепаратора герметично закрыты. Продолжительное вдыхание любой пыли может привести к серьёзному легочному заболеванию или летальному исходу. Непродолжительное глотание токсичной пыли, например, свинцовой, создает непосредственную угрозу здоровью.

Токсичность и риск для здоровья зависят от пыли, возникающей при абразивоструйной очистке. Необходимо определить все вещества, удаляемые абразивоструйной очисткой и получить сертификат безопасности для абразива.

5. Настройка.

5.1 Регулировка очистки фильтров

Фильтр-камера снабжена автоматической системой импульсной очистки фильтр-патрона. Стандартное давление импульсной очистки составляет 4 - 5 бар. Давление очистки выставляется с помощью регулятора давления, установленного на ресивере системы очистки и контролируется по манометру.

Если пульсация недостаточно очищает фильтр-патрон, необходимо увеличивать давление импульса интервалами по 0,5 бар до максимального значения 6,0 бар. Увеличение давления импульса более 6,0 бар может вызвать повреждение корпуса фильтра и самого фильтра.

Если после увеличения давления осадок пыли на фильтр-патроне увеличивается, следует увеличить продолжительность каждого импульса (выставляется на каждом пневмоклапане по шкале в миллисекундах (ms)) и уменьшить время периода между импульсами (по шкале в минутах (min)).

Проверку работоспособности пневмоклапанов с электромагнитным управлением можно произвести, нажав на кнопку Test.

6. Техническое обслуживание.

6.1 Профилактическое обслуживание

6.1.1 Пылесборник

Необходимо регулярно опорожнять ведро-пылесборник. Сначала следует проверять пылесборник не реже одного раза в день или при добавлении абразива, затем следует определить частоту проверок, учитывая интенсивность эксплуатации, загрязненность и стираемость абразива.

6.1.2 Фильтр воздушной магистрали

Пневмоблок установки оснащён фильтром-влажготделителем с ручным сливом. Следует вручную сливать конденсат, по крайней мере, один раз в день, а при необходимости чаще (если на выходе абразивоструйного сопла наблюдается водяной туман).

Если ручной слив приходится производить слишком часто, вероятно, необходимо использование осушителя сжатого воздуха.

6.1.3 Рукава и соединения

Регулярно визуально проверяйте рукава на наличие изношенных участков (особенно в местах изгиба). На поверхности рукава не должно быть трещин, надломов.

При необходимости заменить..

6.1.4 Сороудерживающее сито циклонного сепаратора

Циклонный сепаратор оснащён сороудерживающим ситом, препятствующим попаданию в абразивоструйный аппарат посторонних предметов и продуктов очистки поверхностей. Необходимо ежедневно очищать сито.



Категорически запрещается производить очистку сита при включённом вентиляторе фильтр-камеры.

Запрещается эксплуатировать установку, если сито не установлено на место.

Для доступа к ситиу циклон оснащён дверцей.

Для съёма сита необходимо приподнять его и повернуть по часовой стрелке. Установку сита производить в обратном порядке.

6.2 Сервисное обслуживание.

6.2.2 Замена фильтр-патрона



Невыполнение требования об использовании средств индивидуальной защиты при обслуживании запыленных зон установки и пылесборника, а также при опорожнении ведра-пылесборника может привести к серьезному раздражению глаз, заболеваниям легких или летальному исходу.

Токсичность и риск для здоровья зависят от типа абразива и пыли, возникающей при абразивоструйной обработке.

Респиратор должен быть допущен к применению с соответствующим типом возникающей пыли.

Необходимо определить все материалы, удаляемые струйной очисткой и получить сертификат безопасности для абразива.

Для замены фильтр-патрона пылесборной камеры выполните следующие действия:

1. Закройте подачу сжатого воздуха к пневмоблоку.
2. Полностью стравите воздух из ресивера системы импульсной очистки.
3. Открутите 4 гайки с черными пластиковыми ручками на двери фильтр-камеры и снимите дверь.
4. Открутите гайку с черной пластиковой ручкой и под фильтр-патроном, снимите шайбы крепления фильтр-патрона.
5. Снимите фильтр-патрон, потянув его вниз и на себя.
6. Осмотрите верхний металлический фланец, к которому прилегало герметизирующее кольцо фильтр-патрона. На фланце не должно быть остатков кольца. При необходимости очистите фланец.
7. Установите новый фильтр-патрон в обратном порядке. Соблюдайте порядок установки шайб.
8. Закрутите гайку с черной пластиковой ручкой, пока фильтр-патрон будет невозможно повернуть вокруг оси вручную. Дополнительно затяните гайку еще на один оборот.
9. Проверьте на износ уплотнитель двери фильтр-камеры. При необходимости замените его, убедившись в отсутствии зазора в стыках уплотнителя.
10. Закройте дверь фильтр-камеры, затяните 4 гайки с черными пластиковыми ручками.

7. Устранение неисправностей.

Неисправность	Возможная причина	Способ устранения
Чрезмерно высокое потребление абразива	Открыта или находится не на месте дверца циклонного сепаратора, плохо установлен или изношен уплотнитель. Проникновение воздуха в этом месте в циклонный сепаратор вызывает движение абразива в фильтр-камеру.	Плотно закройте дверцу циклонного сепаратора. При необходимости замените уплотнитель дверцы. Эксплуатация установки с открытой дверцей циклонного сепаратора запрещается!
	Вызванное износом отверстие в циклонном сепараторе или утечка в швах циклонного сепаратора.	Визуально проверьте циклонный сепаратор на наличие негерметичностей.
	Применение слишком мелкого, изношенного или мягкого абразива, который быстро разрушается	Произведите замену абразива.
	Слишком высокое для применяемого абразива давление в сопле вызывает разрушение материала	Уменьшите давление с помощью регулятора на панели электротящика.

Неисправность	Возможная причина	Способ устранения
Снижение скорости абразивоструйной очистки	Недостаточное количество засыпанного абразива (снижение потока абразива)	Добавьте абразив.
	Неправильная регулировка дозатора абразива (слишком много абразива в смеси с сжатым воздухом, абразив забивает сопло)	Произведите регулировку дозатора абразивоструйного аппарата.
	Низкое давление сжатого воздуха, подаваемого к абразивоструйному аппарату	Произведите регулировку давления с помощью регулятора на корпусе электроящика.
	Закупоривание абразивного рукава или сопла	<p>При выключенном вакуумном насосе проверьте наличие сороудерживающего сита в циклонном сепараторе. Осмотрите абразивоструйное сопло в вакуумной голове.</p> <p>Открутив корпус вакуумной головы с соплом из соплодержателя и направив его в безопасном для себя и других людей направлении, нажмите на кнопку пульта дистанционного управления, подав воздух на соплодержатель, чтобы очистить рукав и соплодержатель от засора.</p>
	Износ сопла	Произведите проверку сопла на износ, при необходимости замените сопло.
	Износ абразивоструйного рукава	Проверьте рукав на отсутствие разрывов и изношенных участков. Замените в случае износа или повреждения.
	Влажный абразив	Произведите слив конденсата из фильтра-влагоотделителя пневмоблока

Неисправность	Возможная причина	Способ устранения
Из сопла идет только воздух (абразив не поступает)	Отсутствие абразива в абразивоструйном аппарате (вследствие чрезмерного потребления)	См. «Чрезмерно высокое потребление абразива».
	Чрезмерно перекрыт дозатор абразивоструйного аппарата	Произведите регулировку дозатора.
	Засорение дозатора	Нажмите на кнопку пульта дистанционного управления, попросите помощника сделать несколько кратковременных открытий и закрытий шарового крана на подаче сжатого воздуха в абразивоструйный аппарат. Если это не помогло, выключите установку, произведите разборку и очистку дозатора.
	Повреждены шланги пневмосистемы управления	Проверьте управляющие полиуретановые пневморукава на наличие перегибов или утечек.
	Выход дозатора из строя	Произведите ремонт или замену дозатора.
Ни абразив, ни сжатый воздух не выходят из сопла	Засорено абразивоструйное сопло или рукав	См. «Снижение скорости абразивоструйной очистки».
	Абразивоструйный аппарат не герметизируется	См. «Абразивоструйный аппарат не герметизируется».
	Перекрыты дозатор и шаровый кран абразивоструйного аппарата	Произведите регулировку дозатора, откройте шаровый кран подачи сжатого воздуха на абразивоструйном аппарате.
	Не открывается электромагнитный клапан безопасности	С соблюдением правил электробезопасности убедитесь, что катушка электромагнитного клапана подключена правильно. При необходимости замените клапан.

Неисправность	Возможная причина	Способ устранения
Абразивоструйная очистка не останавливается после отпускания кнопки пульта дистанционного управления	Неисправность трехпроходного клапана пульта дистанционного управления	Убедитесь, что трехходовой клапан пульта дистанционного управления стравливает давление в окружающую среду после отжатия кнопки. Если этого не происходит, замените пульт дистанционного управления.
Абразивоструйный аппарат не герметизируется	Нет подачи сжатого воздуха к абразивоструйному аппарату	Убедитесь, что от компрессора поступает сжатый воздух.
	Регулятор давления выставлен на слишком низкое давление сжатого воздуха	Произведите регулировку давления. Давление не должно быть ниже 3 бар.
	Изношена диафрагма разгрузочного клапана	Разберите разгрузочный клапан абразивоструйного аппарата, осмотрите диафрагму на предмет износа. При необходимости замените ее
	Повреждены шланги пневмосистемы управления	Проверьте управляющие блоком запуска/остановки пневмошланги на наличие перегибов или утечек.
	Неисправность трехпроходного клапана пульта дистанционного управления	Убедитесь, что трехходовой клапан пульта дистанционного управления стравливает давление в окружающую среду после отжатия кнопки. Если этого не происходит, замените пульт дистанционного управления.
	Перепутаны шланги подключения пульта дистанционного управления	Поменяйте шланги местами.

Неисправность	Возможная причина	Способ устранения
Не происходит отключение и разгерметизация абразивоструйного аппарата или происходит медленно	Неисправность трехпроходного клапана пульта дистанционного управления	Убедитесь, что трехходовой клапан пульта дистанционного управления стравливает давление в окружающую среду после отжатия кнопки. Если этого не происходит, замените пульт дистанционного управления.
	Пережат, поврежден или засорен шланг управления разгрузочным клапаном	Проверьте шланг на наличие переломов, повреждений, при необходимости замените его.
Абразивовоздушная смесь пересыщена абразивом	Закрыт или недостаточно открыт шаровый кран на абразивоструйном аппарате	Откройте шаровый кран полностью.
Пulsации потока абразивовоздушной смеси во время запуска	Дозатор абразива открыт чрезмерно	Произведите регулировку дозатора. Если регулировка не приводит к изменению количества абразива в смеси, отключите установку, произведите выгрузку абразива, а затем разборку и осмотр дозатора.
Утечка пыли из фильтр-камеры	Поврежден или плохо закреплен фильтр-патрон	Выключите вакуумный насос. Откройте дверцу фильтр-камеры и убедитесь в правильной установке фильтр-патрона, а также в отсутствии его повреждений.
	Неисправно уплотнение на дверце пылесборной камеры	Выключите вакуумный насос. Откройте дверцу фильтр-камеры и убедитесь в целостности и отсутствии износа уплотнения дверцы. При необходимости замените уплотнение.
Утечка пыли из разгрузочного клапана	Изношена прокладка разгрузочного клапана	Замените прокладку

